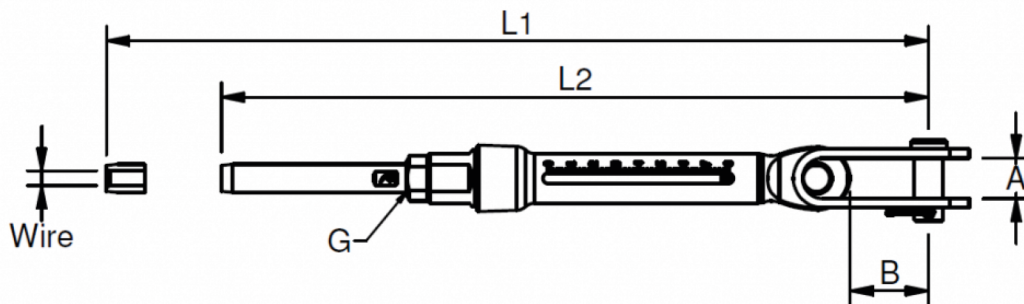


Mono race tuning – MRT – calibrated

Polished stainless steel – AISI 316

Technical drawing



Datatable

MONO RACE TUNING														
F	R	W	M	ART. NO.	WIRE	G	PIN	A	B	L1	L2	BL/KG	KG/100	PACK
			•	MRT03014	3	1/4"	6,35	8	17	233	193	1300	11,4	BULK
			•	MRT04014	4 - 5/32"	1/4"	6,35	8	17	256	216	1300	12,2	BULK