

DBS6568B-LBT

Dual 6.5" 2-Way 200 Watt Mini Box Waterproof Stereo System with Bluetooth and LED Lights

6.5" long excursion woofer

Completely Waterproof

1.0" Titanium Dome Tweeter

1.0" voice coil

Max power: 2x200W

Magnet: 10 Oz

Frequency response: 60Hz-20K Hz

Impedance: 4 ohms

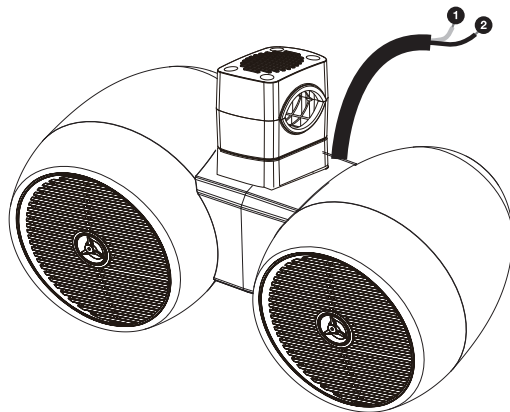
Sensitivity: 90 dB

Dimensions (mm): 283x480x240 mm (HxWxD)

Bluetooth Connection Diagram

1. LED power +(Red)&Bluetooth-DC12V

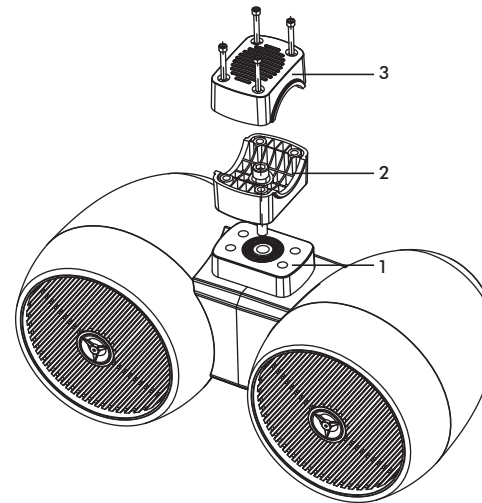
2. LED power -(Black)&Bluetooth-DC12V



Bluetooth Device Name: DBS
Bluetooth Password: 0000

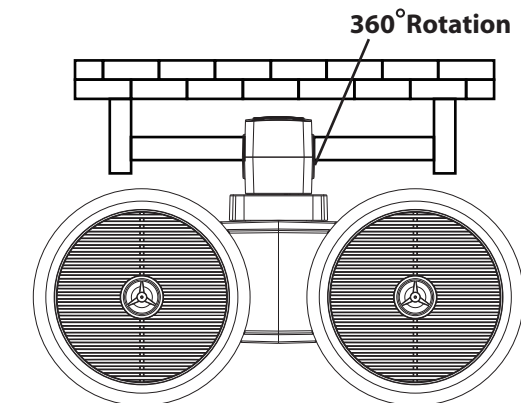
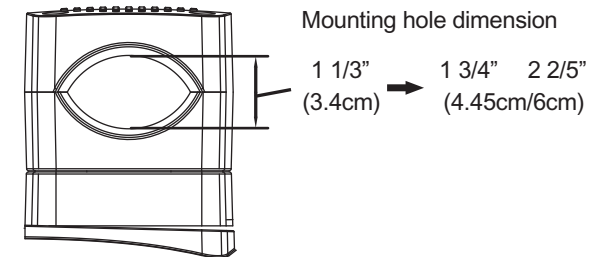
Picture 1.

- 1.The base of the bracket.
- 2.The connecting base of the bracket,360° rotation, connect to picture1.
- 3.The cover of the bracket,is fixed by 4 mounting screws after picture 2 rotates to an angle.



Remark:two types of screws for choice:M5x65/M5x80

Picture 2.



Importer: Ahoy Norge AS, Hangarveien 21B, 3241 Sandefjord, Norway
Phone: +47 359 44 000