

## USER'S MANUAL - *Magnetic compass for navigation RIVIERA type ASTRA 4 "*

Dear Customer,

In thanking you for your preference and trust in our products, we wish to inform you that this marine magnetic compass has been designed and built to perfection in the RIVIERA srl factory in Genoa.

After manual assembly, it was subjected to tests and quality controls in accordance with the requirements of the Italian shipping register, RINA. It is made with materials that have proven to guarantee its functioning aboard boats for many years.

**Keep this manual together with the on-board documents.**

### INSTALLATION

Please read the following carefully.

- 1) Choose the installation site so that it is as far away as possible from magnetic fields, or other moving ferrous masses.
- 2) Refer to the on board mounting scheme contained in the box.
- 3) Before connecting the two LED lighting wires to the on-board system, check the correspondence of the network voltage.
- 4) To fix the compass to the dashboard, the cover flange must be lifted. To facilitate the operation, two slots have been provided on the right and left sides. Use a slotted screwdriver and insert it inside a slot. Rotate in any direction and repeat the same procedure on the opposite side. The flange will rise and you can remove it completely. Insert the compass in the seat and fix it using the holes as per the drilling diagram provided. Reposition the cover flange paying attention to the correct insertion, in order to avoid breaking the retaining forks. As a confirmation and indication, check that the RIVIERA logo placed on the flange is in the direction of the stern of the boat.

### COMPENSATION & MAINTENANCE

The RIVIERA ASTRA compass can be used for zone A, B and C.

Compensation is not foreseen for RIVIERA ASTRA.

Clean the Riviera compass with a soft cloth moistened with fresh water.

### REPAIR

For the purposes of forfeiture of the warranty terms and for your safety, any repairs may be carried out only and exclusively by the manufacturer. In case of need, please contact RIVIERA Srl - [info@rivieragenova.com](mailto:info@rivieragenova.com)

### PACKAGING

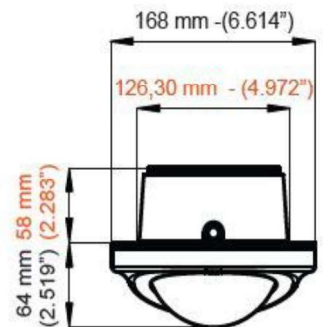
The RIVIERA WHITE ASTRA compass is delivered in protective packaging suitable for international shipping  
1 box dim. 19 x 19 x 19,50 cm total weight Kgs. 1,800

### LIQUID

The liquid contained in the RIVIERA compasses is stable in the temperature range from -30 ° to + 60 ° C. In this range there should be no bubbles, this is guaranteed by an elastic membrane that compensates for volumetric variations. The liquid is Shell SolD / 70 (petroleum).



**ATTENTION:** Never unscrew the filler plugs and screws for any reason.



### GENERAL FEATURES

Apparent diameter : 4" ( 100 mm)  
Mounting: flush (ceiling mount)  
Dial gradation 5°  
Dial colors: black  
Front reading  
LED lighting 12V (24V on request)  
blue color as standard  
Anti-glare screen  
Internal gimbal suspension  
Compensation not foreseen  
3 years warranty  
100% repairable  
Weight: 1,700 Kgs

## Certificate of Warranty



This document is valid as a guarantee certificate. The company RIVIERA srl Genoa guarantees that its compasses are built in a workmanlike manner and that they are free from manufacturing and material defects. If within 36 months from the date of manufacture (stamped on the flange) the product should show malfunctions, the company will repair or replace it, at its sole discretion, free of charge.

The warranty is void if the damage is caused by improper use, incorrect installation or accidental breakage. **The warranty does not cover any costs deriving from assembly or disassembly of the products, transport of the same and expenses for technical personnel, even if attributable to manufacturing defects.** In the event of a dispute, the competent court is the court of Genoa.

## SCHEMA DI FORATURA (ON BOARD MOUNTING SCHEME) tipo URANIA BU3 - ASTRA BAS1

