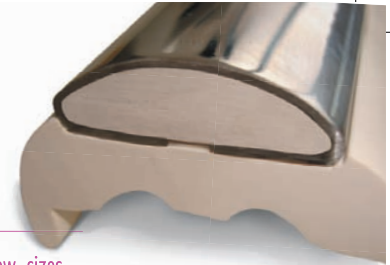


COMPARISON SHEET



sphaera

is projected and produced
by Tessilmare



sphaera

WEIGHT

850 gr/mt
0.57 lb/ft

ADVANTAGE

Competitive price
Strong
Light
Can be easily bent

DISAVANTAGE

Our competitors
do not like it

SIZES

Available in few sizes,
its lower cost allow to
fit a bigger size and to
give more stand out to
your boat



empty stainless steel

750 gr/mt
0.52 lb/ft

Competitive price

It deforms in case of
shock - Not adjusted
on the joints - It has
to be bent with special
equipment

Available
in many sizes



solid stainless steel

3500 gr/mt
2.35lb/ft

It doesn't deform
when bended

Too expensive
Too heavy
It does not absorb
the shock

Available
in many sizes

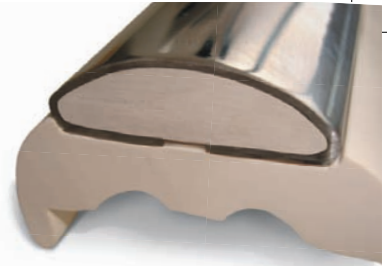
Images and design cannot be used without permission

Fitting instruction on our video channel <http://www.youtube.com/tessilmare>

TECHNICAL SHEET

PVC PART NUMBER	Item 130-130-050
PVC BASE	Produced in Rolls Available in different colours
PVC BASE SIZE	50 mm 2" Designs and customised sizes upon request
PACKAGING	Coil
STAINLESS STEEL PART NUMBER	Item 130-130-135
WEIGHT	850 gr/mt
STAINLESS STEEL TRACK	Bars of 3 mt 3.28 yd
STAINLESS STEEL SIZE	35 mm 1-3/8"
PACKAGING	Bundle
STAINLESS STEEL END CAP <i>to cover the profile on the backside</i>	
STAINLESS STEEL TOP CAP <i>to cover joints between the track. This part have many features, cover the anaesthetic joints between the tracks, keep the bars aligned, the heads screws are not necessaryes.</i>	

Images and design cannot be used without permission



sphæra

is projected and produced
by Tessilmare

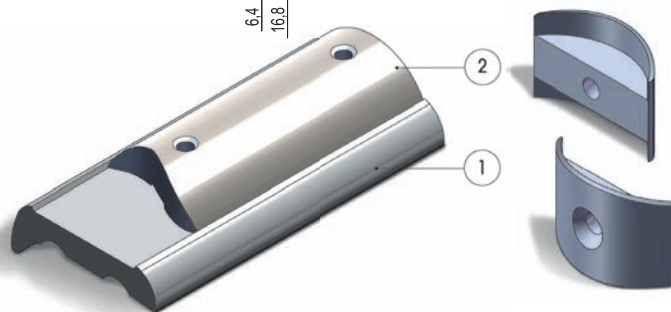
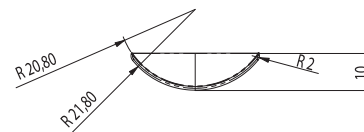
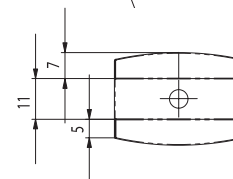
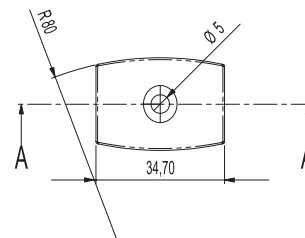
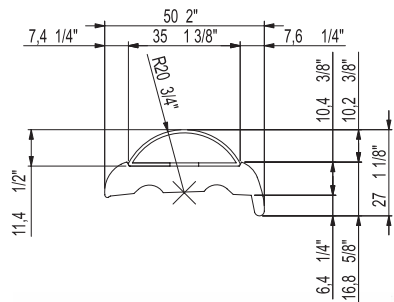



TESSILMARE
www.tessilmare.com

Fitting instruction on our video channel <http://www.youtube.com/tessilmare>

SPHÆRA35

TESSILMARE



1	PVC base <i>Base in PVC</i>	PVC	130-130-050
2	Stainless steel track <i>Binario in acciaio inox</i>	Stainless steel + PVC <i>Acciaio inox + PVC</i>	130-130-135

Images and design cannot be used without permission
Le immagini e i disegni non sono utilizzabili senza autorizzazione

Fitting instruction on our video channel <http://www.youtube.com/tessilmare>
Istruzioni per il montaggio sul nostro canale video: <http://www.youtube.com/tessilmare>

sphæra

is projected and produced
by Tessilmare



the innovative fender profile for boat



via V. Veneto, 15
23896 Bevera di Sirtori (Lecco) - Italy
tel. +39 039 955300 - fax +39 039 956930
info@tessilmare.com
www.tessilmare.com