

# Marine Manual Toilets

TMC-99901、TMC-9990103、TMC-99903、TMC-9990305  
 TMC-99913、TMC-99905、TMC-29940、TMC-29941  
 TMC-29942、TMC-29943、TMC-29944、TMC-29945

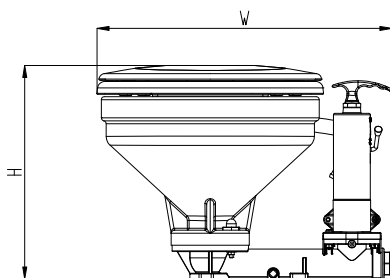
## PRODUCT FEATURE

TMC range of marine manual toilets offer a wide variety of styles and sizes to suit the requirement of virtually any boat.

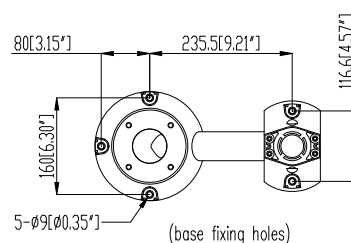
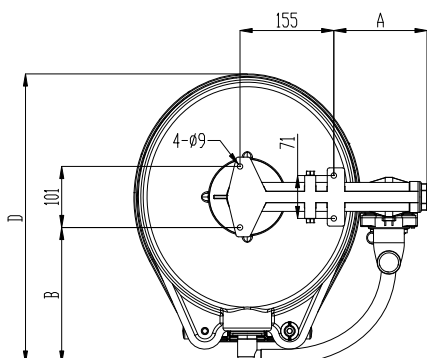
### Common Feature

- Top quality vitreous china bowl.
- Solid plastic seat and cover.
- Flush and dry bowl pump cycles to control bowl water level
- Discharge outlet swivels 360° to accommodate various discharge plumbing directions
- Pump and bowl can be reversed for left or right hand pumping as well as to suit installation requirements
- Stainless steel fastenings used throughout the product
- No power requirement, particularly important on cruising yachts where power consumption is critical.

TMC Model	Pump Action	Dimension (WxDxH)mm	Inlet mm	Outlet mm	Mounting Hole/mm
TMC-99901、29940	Vertical	473x416x330	19	38	8 r/h
TMC-99903、29941	Vertical	460x476x352	19	38	8 r/h
TMC-99905、29942	Lever	473x416x330	19	38	8 r/h
TMC-99913、29943	Lever	483x476x352	19	38	8 r/h
TMC-9990103、29944	Angled	460x425x345	19	38	8 r/h
TMC-9990305、29945	Angled	466x470x363	19	38	8 r/h



MODEL	A	B	D	W	H
TMC-99901、29940	158(6.22")	191(7.52")	416(16.38")	473(18.62")	330(13")
TMC-99903、29941	158(6.22")	223(8.78")	476(18.74")	460(18.11")	352(13.9")
TMC-99905、29942	154(6.06")	191(7.52")	431(16.97")	469(18.46")	330(13")
TMC-99913、29943	154(6.06")	223(8.78")	476(18.74")	483(19")	352(13.9")
TMC-9990103、29944	49(1.93")	161(6.34")	425(16.73")	460(18.11")	345(13.6")
TMC-9990305、29945	49(1.93")	216(8.5")	476(18.74")	460(18.11")	358(14.1")

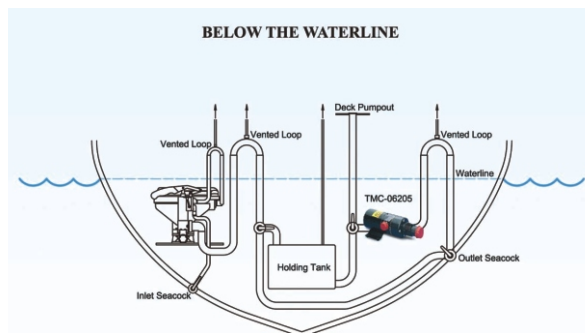
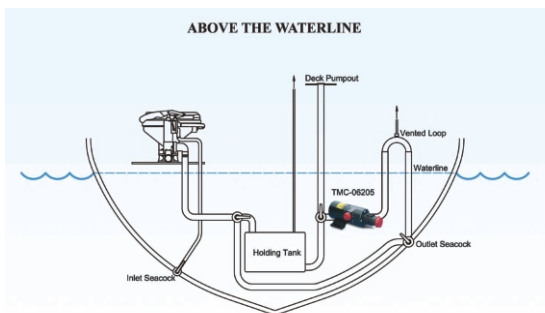


## INSTALLATION

- TMC marine toilets may be installed above or below the waterline.
- Inlet and outlet seacock should be easily accessible and be positive shut off valves. If seacock not be conveniently operated from toilet location, install suitable shut off valves for inlet and discharge connections.
- Pump position can be re-assembled to left hand use. (P.5)
- Surface where toilet is mounted should be flat to prevent distortion of toilet base.

## PLUMBING CONNECTIONS

- Connect inlet hose using 19 mm (3/4") ID hose. Make sure all inlet connections are airtight and free of sharp bends or restrictions.
- Connect 38 mm (1-1/2") hose to discharge port and make suitable connection to holding tank or other discharge system. Avoid sharp bends or restrictions.
- For above waterline installations, a check valve (optional) may have to be installed in the flush water intake line to ensure rapid pump priming. To retain water in bowl, make a loop in the discharge line about 20 cm (8 inches) above base of bowl.
- Do not connect inlet hose to a pressurized water system.
- If the toilet is, or can be, below waterline at any normal (including static) attitude of vessel heel and / or trim, a 3/4" vented loop fitting must be installed in the length of hose connecting the flushing pump to the inlet seacock. The vented loop fitting must be positioned so it remains slightly above the waterline at all angles of heel and trim.



- ALL TMC TOILETS CAN BE MOUNTED BOTH ABOVE AND BELOW THE WATER LINE.
- CONSULT WITH A QUALIFIED MARINE PLUMBER IS RECOMMENDED.
- CONSULT WITH THE COAST GUARD FOR WASTE DISCHARGE RULES ON WATERWAYS WHERE YOU WILL BE OPERATING.

## Vented Loops

- 38mm(1-1/2") for waste outlet discharge
- 25mm(1" ) for macerator toilet discharge
- 19mm(3/4" ) for water inlet discharge
- Vented loops are required for below waterline installations and hose connections must be double clamped.
- Top of the loop must be above waterline.
- Intake vented loops must be installed between pump and back of the bowl.
- Discharge vented loops must be installed between the discharge of toilet and seacock.
- Do not position the vented loops between the inlet sea-cock and the flushing pump inlet. It will make the flushing pump difficult or harder to prime, and could prevent it from working at all.

## Toilet installation samples (below water line)

Fig. 1

Vented loops installed below water line are required to prevent backflow of the waste. The waste has to be treated properly before direct discharge.

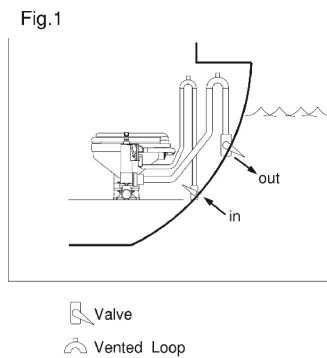


Fig. 2

Vented loops installed below water line are required to prevent backflow of the waste. The waste can be stored in the holding tank first then discharged into water after proper treatment

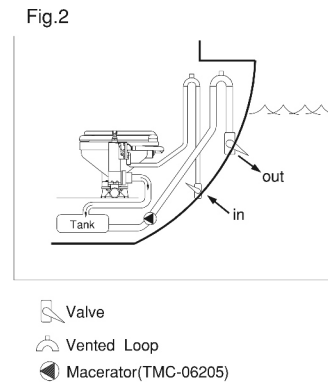


Fig. 3

Vented loops installed below water line are required to prevent backflow of the waste. The waste can be stored in the holding tank first then discharged to pump out station at the port.

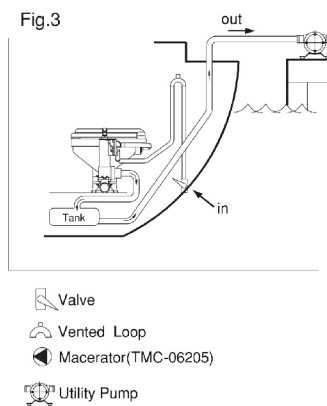
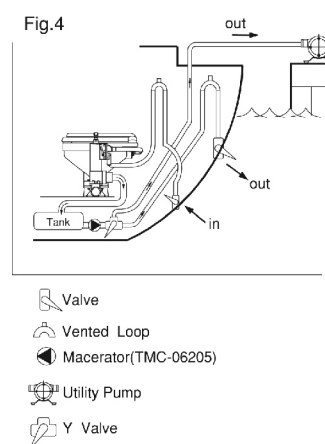


Fig. 4

Vented loops installed below water line are required to prevent backflow of the waste. The waste can be stored in the holding tank first then discharged either to the pump out station at the port or into water directly after proper treatment.



### CAUTIONS

- Always close sea-cocks when leaving boat unattended.
- Always close sea-cocks when toilet is not in use.
- Failure to do so may result in flooding which can cause loss of property and life.
- Do not apply flame or heat to hoses.
- Do not apply sealing compounds to any hose connection.
- Do not use thick liquid toilet cleansers or neat bleach because they may damage the valves, gaskets and seals.
- If the toilet is plumbed to the vessels portable water supply you must install an anti-siphon breaker valve on the toilet inlet pipework to prevent water supply contamination.

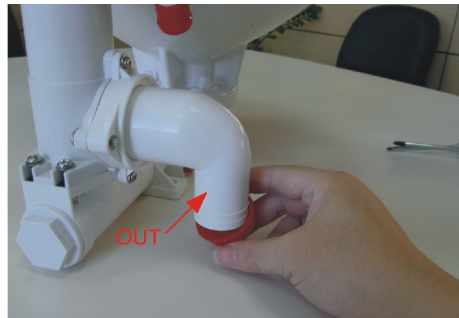
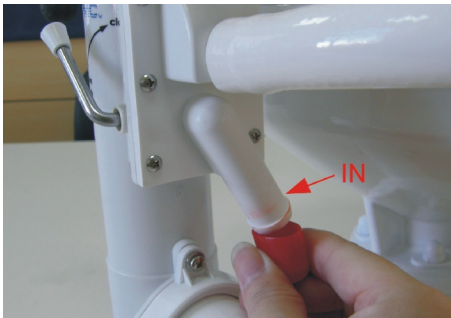
## INSTALLATION INSTRUCTIONS :

### 1. Inlet/ Outlet

- In clear water inlet,  $\phi$  3/4" (19 mm)
- Out waste outlet,  $\phi$  1-1/2" (38 mm)

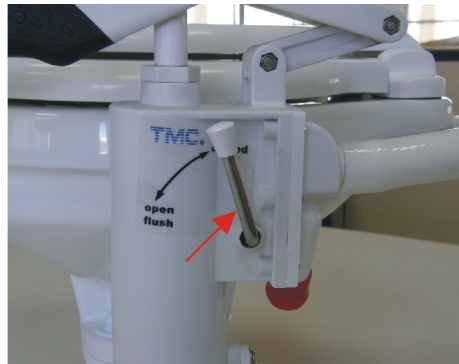
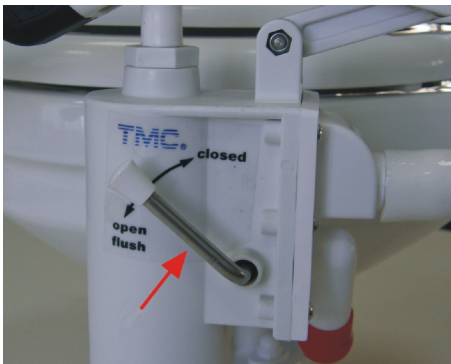


- Remove red end cap before installing pipes.



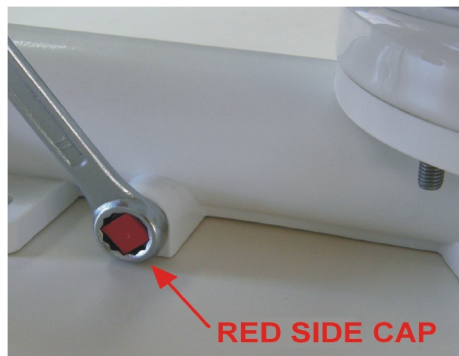
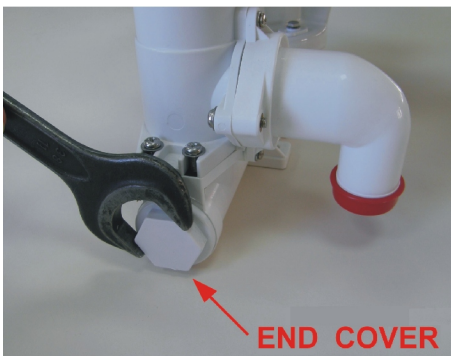
### 2. Pump Unit

- Turn the lever to "open flush" position before pumping.  
After flushing, press pump shaft down to bottom and turn the lever to "close" position to stop the water coming in.



### 3. Base Unit

- Should user find clogging problem, user may open the end cover or the red side cap to clear debris inside.
- After cleaning, screw the end cover and side cap back and make sure they are well closed.





#### 4. Pump direction swivel

Pump position can be swiveled to accommodate different space demands.

- pump 180° swivel :

(1) remover clear water in-let pipe.



(2) remove white top caps x 4.



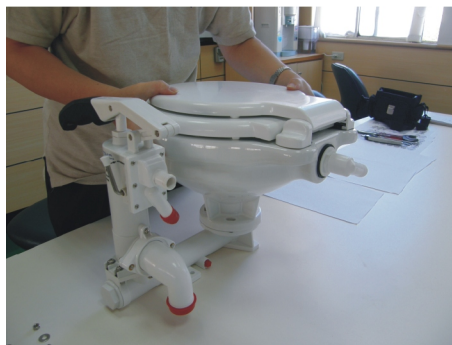
(3) use wrench to remove the screws.



(4) keep and well store the dismantled parts.



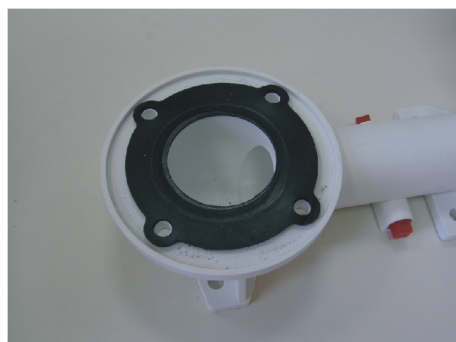
(5) hold the bowl with both hands and put it somewhere safe.



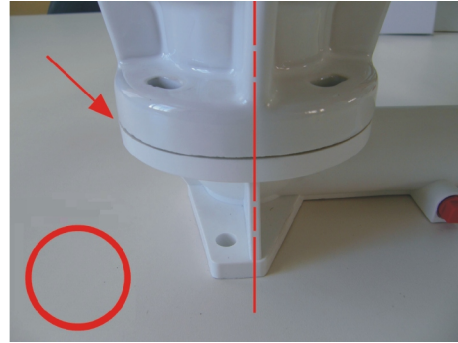
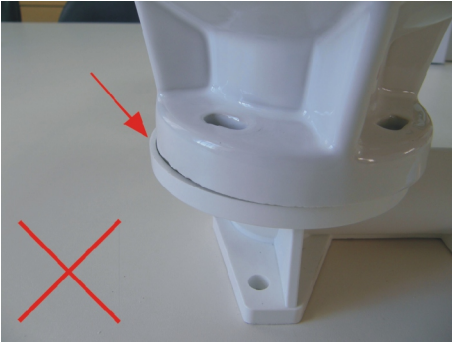
(6) turn the bowl upside down and remove the rubber gasket.



(7) put the rubber gasket back on base unit; make sure to align the screw holes.



- (8) turn pump/base unit 180° and put the bowl back in position; make sure the bowl is well seated and the screw holes are aligned.



- (9) put the screws, washers, nuts and rubber caps back; use wrench or proper tools to make sure screws and nuts are tightened to prevent leakage.



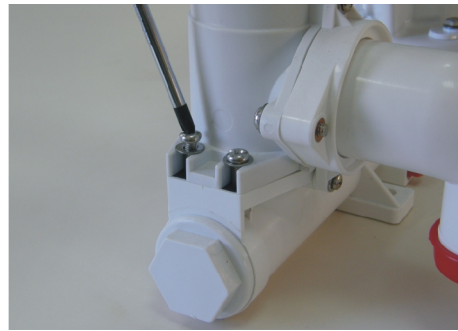
- (10) use screw driver to loosen the top screw



- (11) remove the bottom screws so discharge outlet can be swiveled to accommodate various discharge directions.



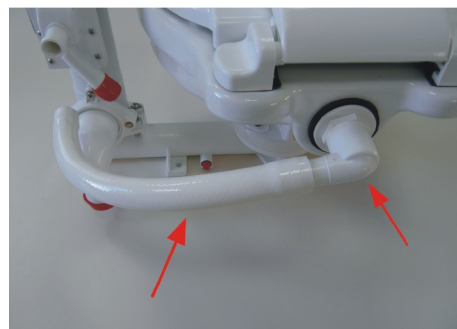
- (12) remove the screws x 4 that connecting the pump & base unit.



- (13) turn the pump unit 180°; put all the screws back and make sure they are tightened.



- (14) Adjust water in-let direction on the bowl to take the pipe back



## 5. Before/After

Before

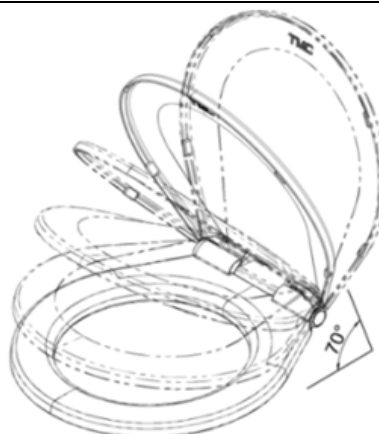
After



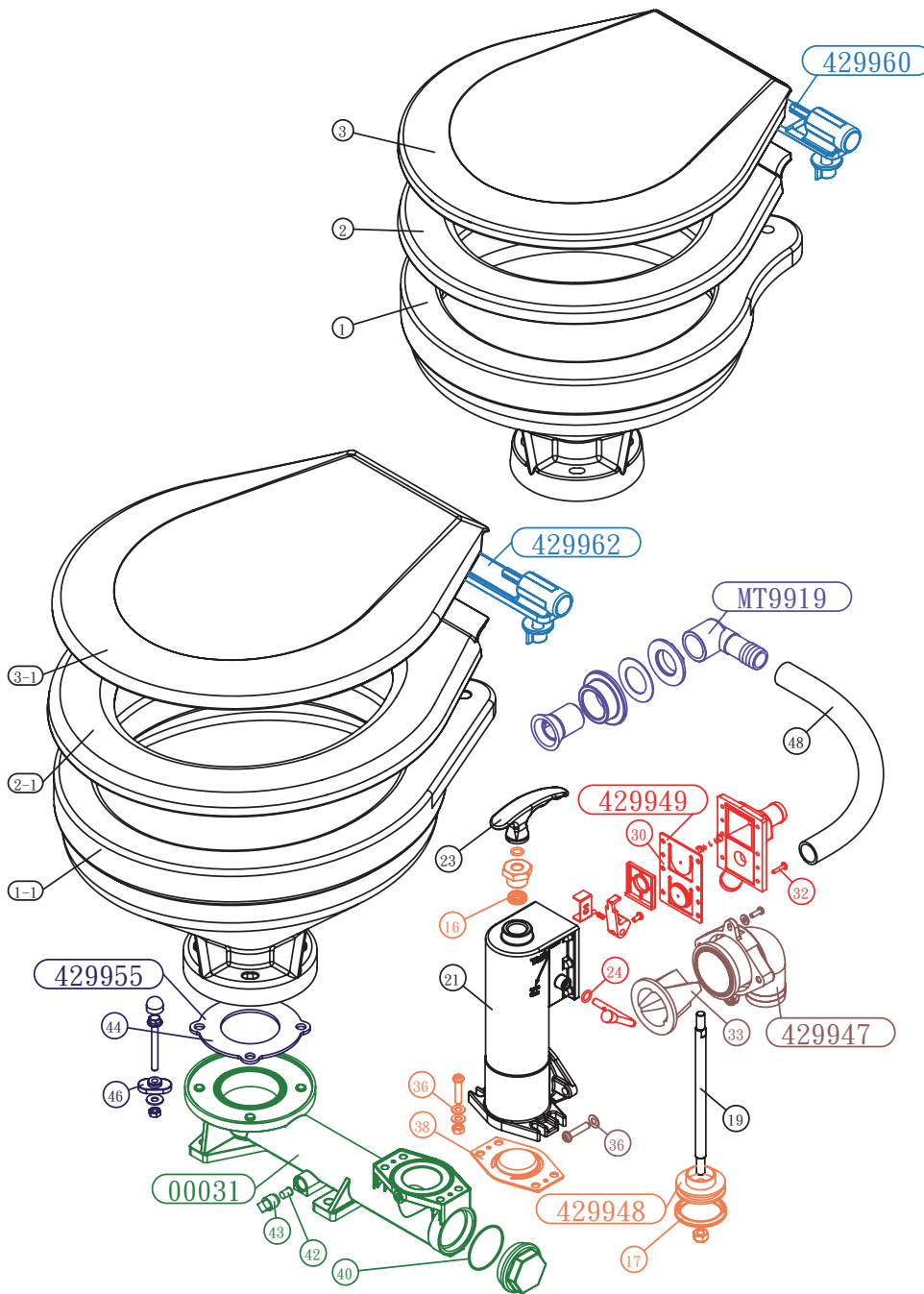
### SLOW-CLOSE FEATURE

For TMC-29940、TMC-29941、TMC-29942、  
TMC-29943、TMC-29944、TMC-29945

- Designed to prevent annoying slam or sudden drop of the seat
- Seat & cover can be slow closed individually.
- Slow-close feature will be activated when the seat & cover is bent over 70 degrees.







**TMC-429952**  
SEAT & COVER W/ SLOW-CLOSE  
FEATURE (COMPACT SIZE)  
ORDER NO. 504-0299520

**TMC-429953**  
SEAT & COVER W/ SLOW-CLOSE  
FEATURE (DELUX SIZE)  
ORDER NO. 504-0299530

**TMC-429960**  
HINGE SET FOR TMC-429952  
(W/ SLOW-CLOSE FEATURE)  
ORDER NO. 504-0299600

**TMC-429962**  
HINGE SET FOR TMC-429953  
(W/ SLOW-CLOSE FEATURE)  
ORDER NO. 504-0299620

**TMC-0002801**  
PUMP UNIT, STANDARD  
FOR MANUAL TOILET  
INCLUDE PARTS  
429947, 429948, 429949, 19, 21 & 23  
ORDER NO. 504-0299281

**TMC-429949**  
PUMP INLET KITS  
FOR MANUAL TOILET  
ORDER NO. 504-0299490

**TMC-429947**  
PUMP OUTLET KITS  
FOR MANUAL TOILET  
ORDER NO. 504-0299470

**TMC-429948**  
PUMP SEAL & VALVE KITS  
FOR MANUAL TOILET  
ORDER NO. 504-0299480

**TMC-MT9919**  
PIPE JOINTS FOR  
MANUAL TOILET  
ORDER NO. 504-0299019

**TMC-00031**  
BASE UNIT FOR MANUAL TOILET  
ORDER NO. 504-0299031

**TMC-429955**  
BASE GASKET KITS  
FOR ELECTRIC TOILET  
ORDER NO. 504-0299550

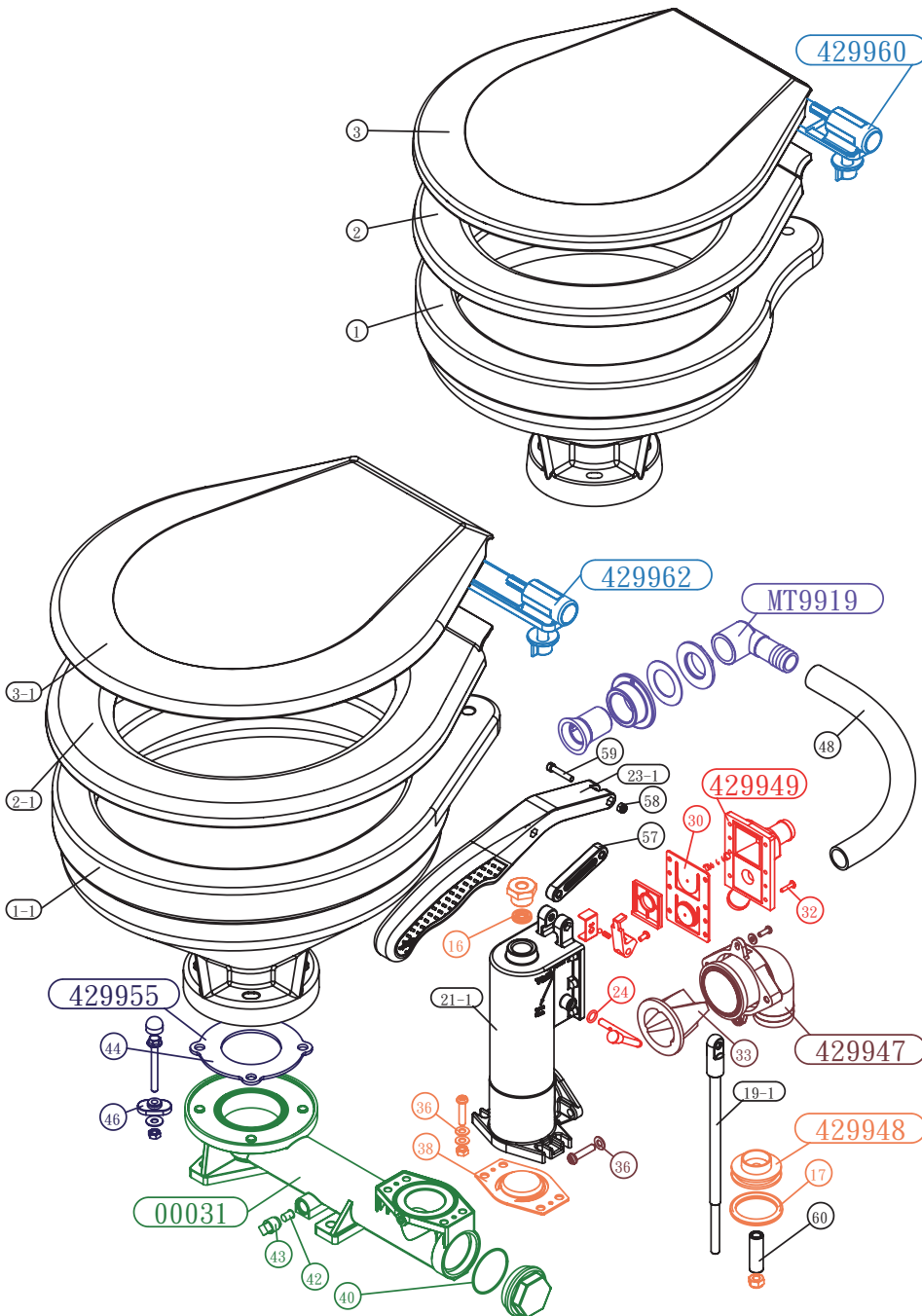
**TMC-00032**  
REPAIR KITS FOR MANUAL TOILET  
INCLUDE PARTS MT16, 17, 24, 30, 32,  
33, 36, 38, 40, 42, 43, 44 & 46  
ORDER NO. 504-0299032

**TMC-0003501**  
CONVENTION KITS FOR MANUAL  
TOILET WITH STANDARD PUMP  
W/O PARTS NO. 1-8  
ORDER NO. 504-0299351

KEY	DESCRIPTION
1	Closestool Body(99901)
2	Seat Cushion(99901)
3	Closestool Cover(99901)
1-1	Closestool Body(99903)
2-1	Seat Cushion(99903)
3-1	Closestool Cover(99903)
16	Seal
17	Seal
19	Shaft
21	Pump Housing
23	Grip

KEY	DESCRIPTION
24	O Ring
30	Inlet Valve
32	Valve Cover Tapping Screw
33	Bowl Valve
36	Flat Washer
38	Valve Flap
40	O Ring
42	Plug Packing
43	Drain Plug
44	Base Packing
46	Plastic Washer





**TMC-429952**  
SEAT & COVER W/ SLOW-CLOSE  
FEATURE (COMPACT SIZE)  
ORDER NO. 504-0299520

**TMC-429953**  
SEAT & COVER W/ SLOW-CLOSE  
FEATURE (DELUX SIZE)  
ORDER NO. 504-0299530

**TMC-429960**  
HINGE SET FOR TMC-429952  
(W/ SLOW-CLOSE FEATURE)  
ORDER NO. 504-0299600

**TMC-429962**  
HINGE SET FOR TMC-429953  
(W/ SLOW-CLOSE FEATURE)  
ORDER NO. 504-0299620

**TMC-0002802**  
PUMP UNIT, ERGONOMIC  
FOR MANUAL TOILET  
INCLUDE PARTS  
429947, 429948, 429949, 19-1, 21-1,  
23-1, 57, 58, 59 & 60  
ORDER NO. 504-0299282

**TMC-429949**  
PUMP INLET KITS  
FOR MANUAL TOILET  
ORDER NO. 504-0299490

**TMC-429947**  
PUMP OUTLET KITS  
FOR MANUAL TOILET  
ORDER NO. 504-0299470

**TMC-429948**  
PUMP SEAL & VALVE KITS  
FOR MANUAL TOILET  
ORDER NO. 504-0299480

**TMC-MT9919**  
PIPE JOINTS FOR  
MANUAL TOILET  
ORDER NO. 504-0299019

**TMC-00031**  
BASE UNIT FOR MANUAL TOILET  
ORDER NO. 504-0299031

**TMC-429955**  
BASE GASKET KITS  
FOR MANUAL TOILET  
ORDER NO. 504-0299550

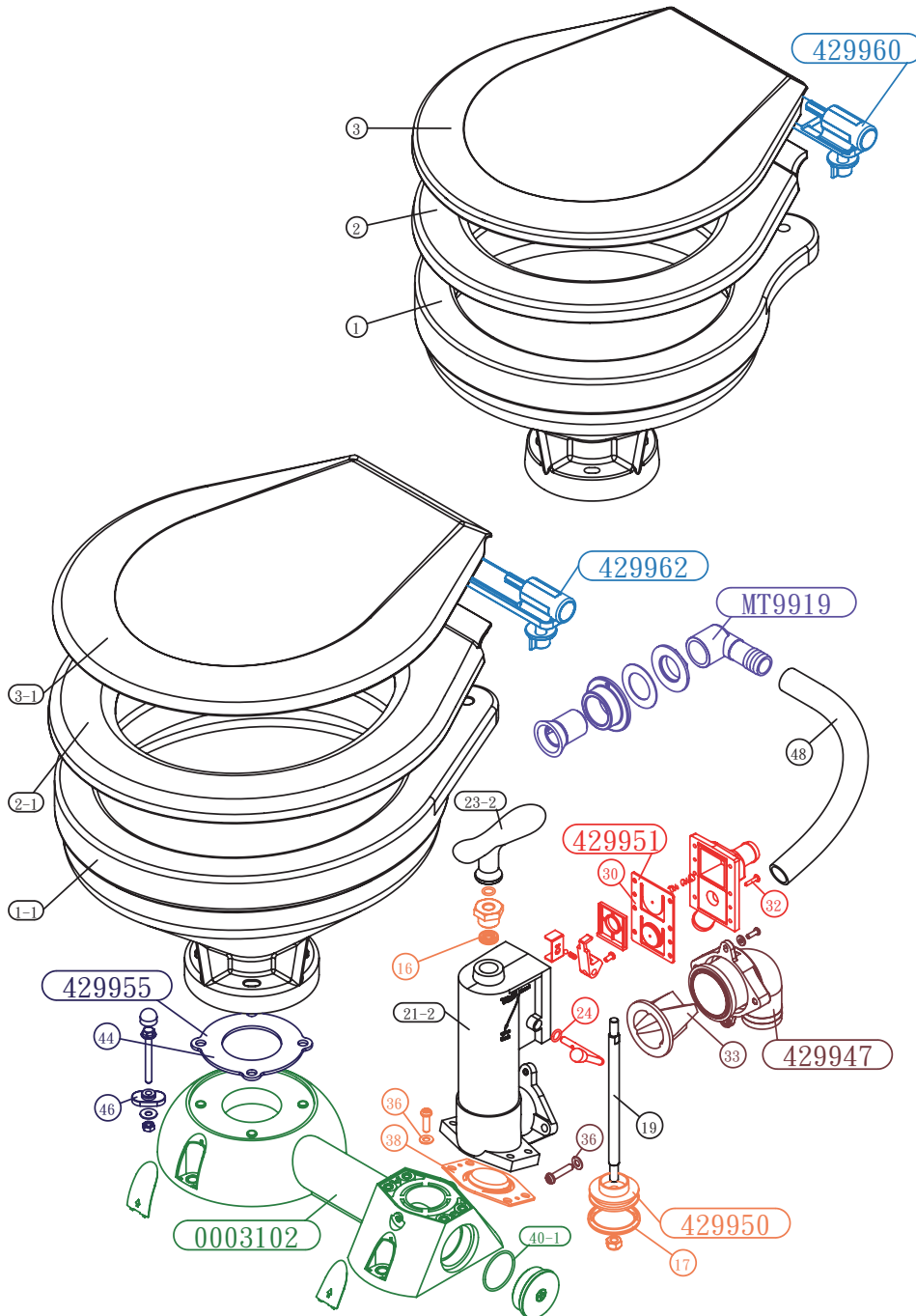
**TMC-00032**  
REPAIR KITS FOR MANUAL TOILET  
INCLUDE PARTS MT16, 17, 24, 30, 32,  
33, 36, 38, 40, 42, 43, 44 & 46  
ORDER NO. 504-0299032

**TMC-0003502**  
CONVERSION KITS FOR MANUAL  
TOILET WITH ERGONOMIC PUMP  
W/O PARTS NO. 1-8  
ORDER NO. 504-0299352

KEY	DESCRIPTION
1	Closestool Body(99901)
2	Seat Cushion(99901)
3	Closestool Cover(99901)
1-1	Closestool Body(99903)
2-1	Seat Cushion(99903)
3-1	Closestool Cover(99903)
16	Seal
17	Seal
19-1	Shaft
21-1	Pump Housing
23-1	Grip
24	O Ring
30	Inlet Valve

KEY	DESCRIPTION
32	Valve Cover Tapping Screw
33	Bowl Valve
36	Flat Washer
38	Valve Flap
40	O Ring
42	Plug Packing
43	Drain Plug
44	Base Packing
46	Plastic Washer
57	Rod Link
58	Nut Lock
59	Bolt Set
60	Copper Sleeve

- TMC TOILET SERVICE PARTS ARE SOLD BY PACKAGE.
- INDIVIDUAL PART LIST IS FOR REFERENCE ONLY.



**TMC-429952**  
SEAT & COVER W/ SLOW-CLOSE  
FEATURE (COMPACT SIZE)  
ORDER NO. 504-0299520

**TMC-429953**  
SEAT & COVER W/ SLOW-CLOSE  
FEATURE (DELUX SIZE)  
ORDER NO. 504-0299530

**TMC-429960**  
HINGE SET FOR TMC-429952  
(W/ SLOW-CLOSE FEATURE)  
ORDER NO. 504-0299600

**TMC-429962**  
HINGE SET FOR TMC-429953  
(W/ SLOW-CLOSE FEATURE)  
ORDER NO. 504-0299620

**TMC-0002803**  
PUMP UNIT, ANGLED  
FOR MANUAL TOILET  
INCLUDE PARTS  
429947, 429950, 429951, 19, 21-2 & 23-2  
ORDER NO. 504-0299283

**TMC-429951**  
PUMP INLET KITS  
FOR MANUAL TOILET  
ORDER NO. 504-0299510

**TMC-429947**  
PUMP OUTLET KITS FOR  
MANUAL TOILET  
ORDER NO. 504-0299470

**TMC-429950**  
PUMP SEAL & VALVE KITS  
FOR MANUAL TOILET  
ORDER NO. 504-0299500

**TMC-MT9919**  
PIPE JOINTS FOR  
MANUAL TOILET  
ORDER NO. 504-0299019

**TMC-0003102**  
BASE UNIT FOR MANUAL TOILET  
ORDER NO. 504-0299033

**TMC-429955**  
BASE GASKET KITS  
FOR MANUAL TOILET  
ORDER NO. 504-0299550

**TMC-00032**  
REPAIR KITS FOR MANUAL TOILET  
INCLUDE PARTS MT16, 17, 24, 30, 32,  
33, 36, 38, 40, 42, 43, 44 & 46  
ORDER NO. 504-0299032

**TMC-0003503**  
CONVENTION KITS FOR MANUAL  
TOILET WITH ANGLED PUMP  
W/O PARTS NO. 1-8  
ORDER NO. 504-0299353

KEY	DESCRIPTION
1	Closestool Body(99901)
2	Seat Cushion(99901)
3	Closestool Cover(99901)
1-1	Closestool Body(99903)
2-1	Seat Cushion(99903)
3-1	Closestool Cover(99903)
16	Seal
17	Seal
19	Shaft
21-2	Pump Housing

KEY	DESCRIPTION
23-2	Grip
24	O Ring
30	Inlet Valve
32	Valve Cover Tapping Screw
33	Bowl Valve
36	Flat Washer
38	Valve Flap
40-1	O Ring
44	Base Packing
46	Plastic Washer





**TMC TECHNOLOGY CORP.**

No. 726, Jieh Shou Rd., Sec. 2, Pa Teh City, Taoyuan, Taiwan, R.O.C.

E-mail: [sales1@tmcint.com](mailto:sales1@tmcint.com) Website: [www.tmcint.com](http://www.tmcint.com)