

VR100 24v Fuel Transfer Pump

Features

- Faster refuelling - 105 litres/minute (28GPM)
- High head capability - 15 metres (49 feet.)
- Self priming up to 5 metres (16 feet.)
- 45 min duty
- Thermal overload protected
- Vibration tested
- IP55 protected motor
- Full range of installation accessories
- Customised kits for OEM customers



Typical Applications

- Designed for refuelling large diesel powered vehicles [typical tank sizes 400 - 1500 litres (100 - 400 gallons)] from drums.
- This pump can be used where high flow rates, heads and superior priming performance is required.
- Suitable for mounting to the following equipment: Excavators, Cranes, Road rollers (compactors), Pavers, Agricultural machines, Generators, Helicopters.
- Suitable for diesel fuel, Kerosene, Paraffin, Hydraulic oils, Oils up to 150 centi Stokes (750 Saybolt Universal) viscosity.

Model Range

Model number	Description
VR100 - 2120	1" BSP ports, 24v DC
VR100 - 2120V	1" BSP ports, 24v DC for Bio Diesel
VR100 - 1120	32mm (1¼"), Hose ports, 24v DC
VR100 - 1122	32mm (1¼"), Hose ports, 24v DC, switch & circuit breaker
VR100 - 1123	32mm (1¼"), Hose ports, 24v DC, automatic shut off controller
Accessories	
23757 - 0010B	Check Valve kit
23759 - 0100B	Foot Valve kit (Shrouded Strainer)
23561 - 0000G	Hose - 32mm (1¼") bore, [per metre]



WARNING Explosion hazard. Do not pump gasoline, solvents, thinners or other flammable liquids. To do so can cause an explosion resulting in injury or death.

Specifications

Temperature Range: -30°C to +50°C (-22°F to +122°F)

Pump Body: Cast Iron

Rotor: Sintered Iron

Vanes: Sintered Bronze

Shaft: Stainless steel

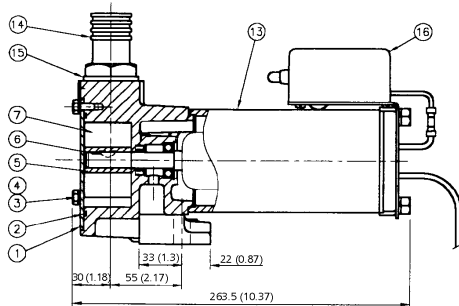
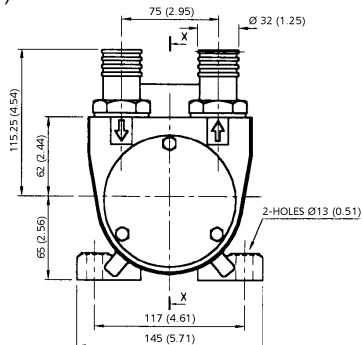
Seal: Nitrile Lip Seal (Viton - 2120V)

Ports: Vertical 1" BSP or 32mm hose adaptors (1¼")

Motor: 24v DC permanent magnet, thermal overload & IP55 protected

Duty: 45 mins rated at 4.3 metres, total head of diesel fuel at 20°C (68°F)

Dimensions in mm (inches)



Parts List

Key	Description	Qty	Part No.	Version -2120V
1	Endcover	1	50255-0000	
2	O-ring*	1	X4020-374A	X4020-374B
3	Screw	3	X3001-178F	
4	Spring Washer	3	X3081-091F	
5	Rotor	1	50252-0000	
6	Key*	1	SP1402-0304	
7	Vane*	4	50253-0000	
13	Motor/Body Assy NPT	1	50256-9000B	
	Motor/Body Assy BSP		50256-2000B	50256-2004
14	Hose adaptors	2	23633-1000	
15	Sealing washer	2	SP1613-1423	
16	Switch box assembly	1	23639-0240B	
	Auto shut off controller		23528-1024B	
Service kit contains items marked*			SK422-0000	

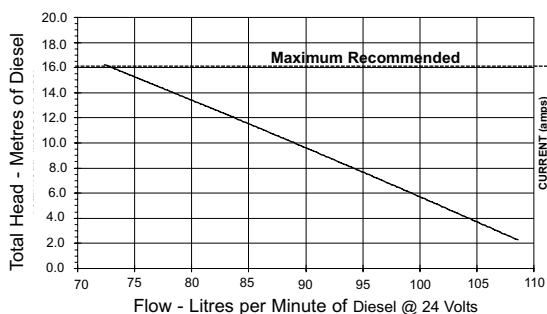
Note

All performance information is based on diesel fuel at 20°C (68°F).
On production product, this may vary by up to 10%.
Maximum recommended total head of diesel fuel is 15 metres.

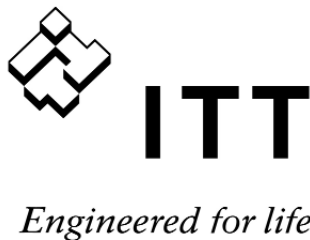
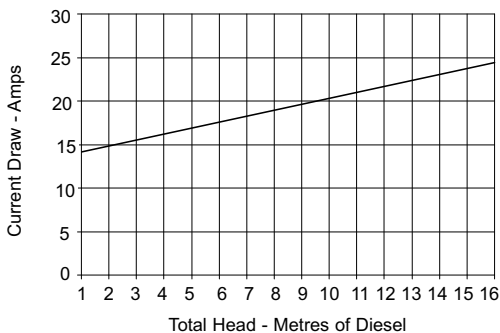
Safety

Do not use for pumping petrol, gasoline or products with a flash point below 37°C (99°F).
Do not dry run.
Always fit a fuse (20 AMPS)

Performance



Current Draw



Jabsco, 1 Kondelin Road, Cape Ann Industrial Park, Gloucester, MA 01930
Tel: +1 978 281 0440 Fax: +1 978 283 2619

USA

Jabsco, Bingley Road, Hoddesdon, Hertfordshire, EN11 0BU
Tel: +44 (0) 1992 450 145 Fax: +44 (0) 1992 467 132

UK

NHK Jabsco Co Ltd, 3-21-10, Shin - Yokohama Kohoku-ku, Yokohama 222
Tel: +81 (0) 45 475 8906 Fax: +81 (0) 45 475 8908

JAPAN

Jabsco GmbH, Ostraße 28, 22844 Norderstedt
Tel: +49 (0) 40 53 53 73 0 Fax: +49 (0) 49 53 53 73 11

GERMANY

Jabsco Italia, s.r.l., Via Tommaseo, 6, 20059 Vimercate, Milano
Tel: +39 039 685 2323 Fax: +39 039 666 307

ITALY