

# LOWRANCE®

## ICE TRANSDUCERS INSTALLATION GUIDE



For product manuals, technical specifications, certificates and declarations refer to the product website:

[www.lowrance.com](http://www.lowrance.com)

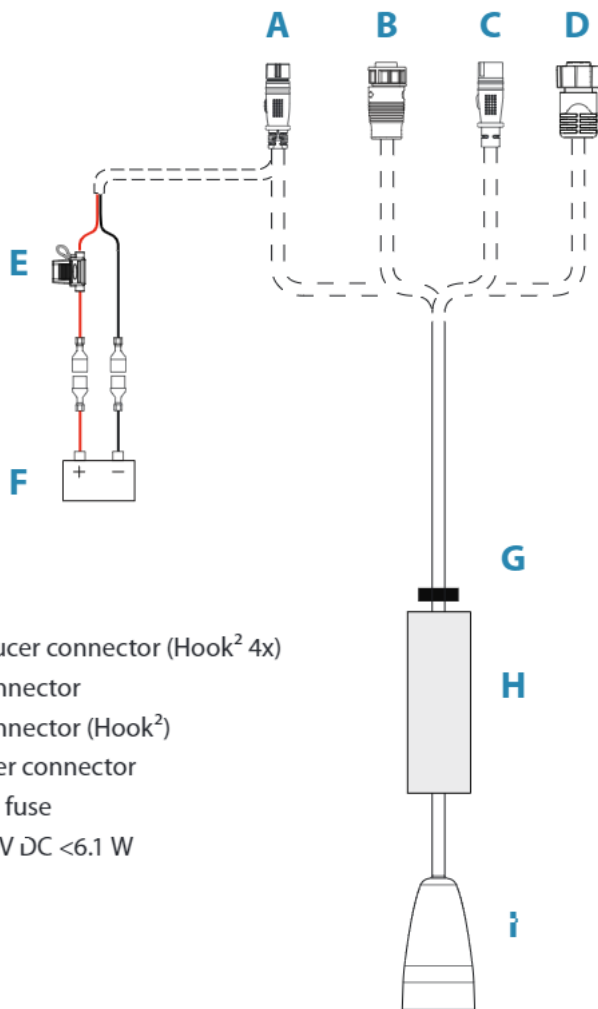


\* 9 8 8 - 1 2 0 6 1 - 0 0 2 \*

### Technical specifications

Weight	
Hook <sup>2</sup> 4x Ice transducer	0.25 kg (0.55 lbs)
7 pin blue connector Ice transducer	0.23 kg (0.50 lbs)
8 and 9 pin Ice transducers	0.23 kg (0.50 lbs)
Cable length	2.1 m (7 ft)
Frequency	83/200 kHz
Beam width (at -3 dB)	38° at 83 kHz / 17° at 200 kHz
Max depth	152.4 m (500 ft)

## Cable connector variants and parts



- A. 7 pin power/transducer connector (Hook<sup>2</sup> 4x)
- B. 9 pin transducer connector
- C. 8 pin transducer connector (Hook<sup>2</sup>)
- D. 7 pin blue transducer connector
- E. Fuse holder and 3 A fuse
- F. Battery, 10.4 to 17.0 V DC <6.1 W
- G. Rubber grommet
- H. Ice foam float
- I. Transducer