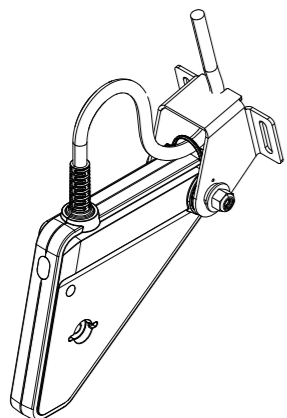
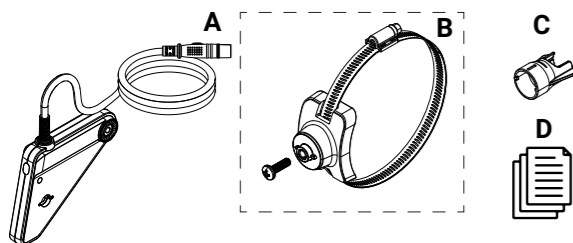


# LOWRANCE®

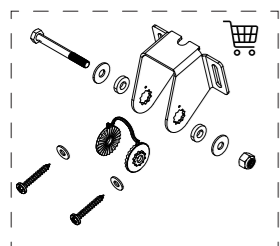
## EAGLE EYE™ TRANSDUCER INSTALLATION GUIDE



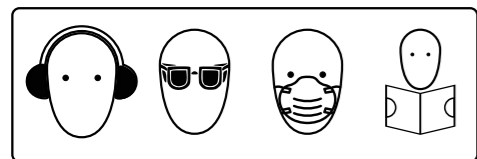
### In the box



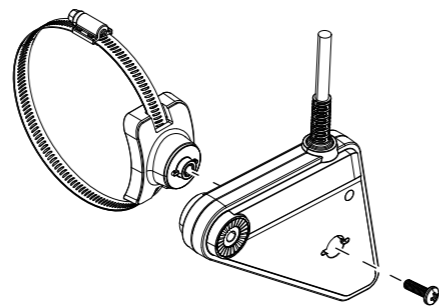
- A Transducer with cable
- B Trolling motor mounting kit
  - 1x bolt
  - 1x hose clamp
- C Cable lock collar
- D Documentation



~~Transom mounting kit sold separately~~  
SKU: 000-16317-001  
[www.lowrance.com/dealer-locator](http://www.lowrance.com/dealer-locator)

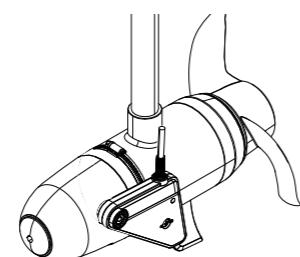
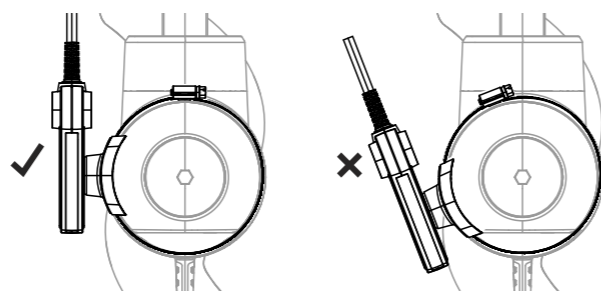


### Trolling motor mount assembly



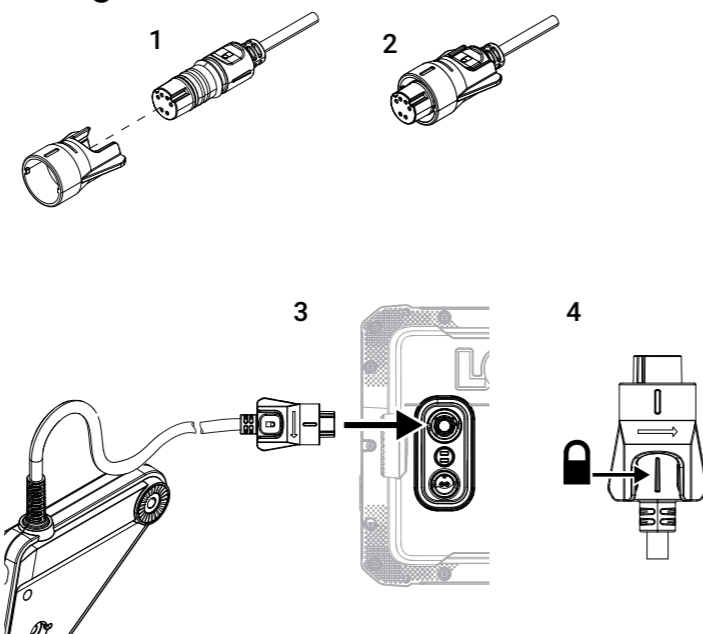
### Trolling motor mount installation

Mount the transducer in a vertical orientation on the port or starboard side of the trolling motor.



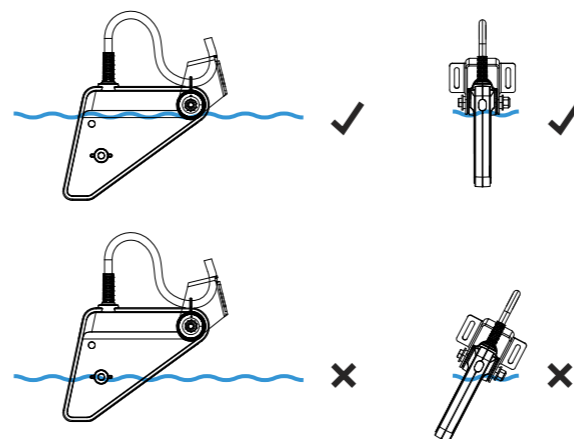
**⚠ WARNING:** When installing your transducer, leave enough slack in the cable loop so the motor shaft can spin all the way around without damaging the cable.

### Wiring

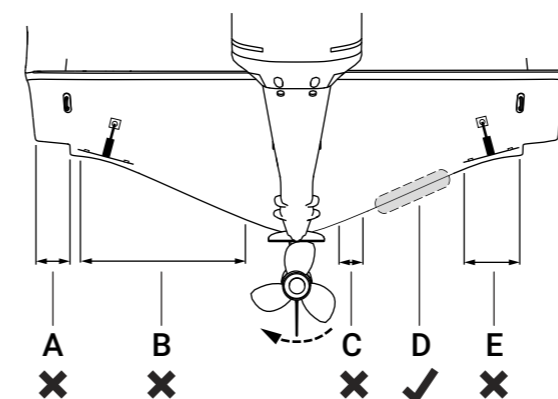


**⚠ WARNING:** See the Transducers Safety, Disclaimer and Compliance document included in the product packaging for detailed warnings and other important safety information regarding your transducer.

### Transom mount guidelines



Mount the transducer parallel to the water surface.

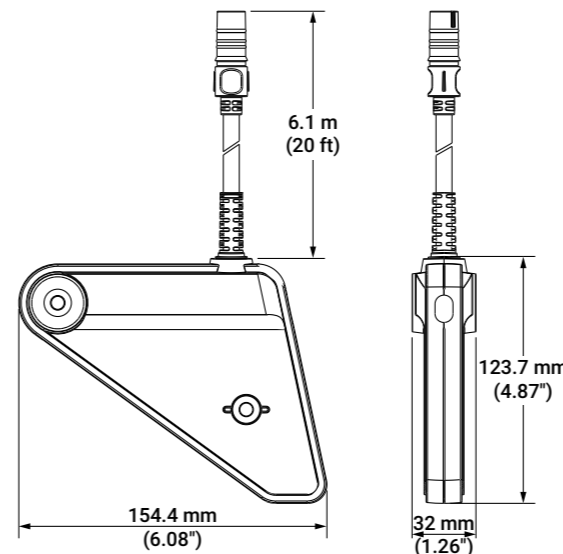


- A Planing strake – avoid mounting
- B Avoid mounting within 1 m (3.3 ft) to port (left) of propeller
- C Avoid mounting within 7.5 cm (3 in) to starboard of propeller
- D Best mounting location – undisturbed water flow
- E Trim tabs can cause turbulence – avoid mounting

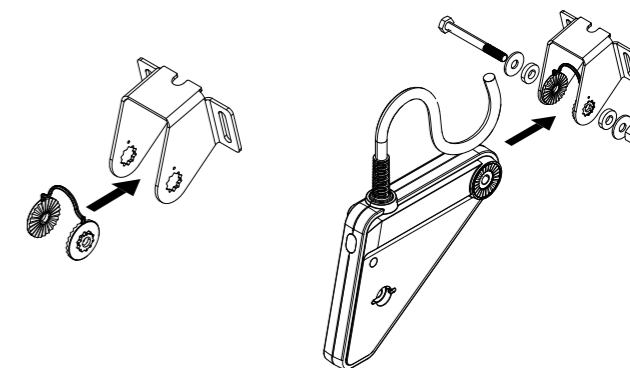
#### → Notes:

- The example above describes a conventional clockwise propeller rotation configuration. If the propeller spins counter-clockwise, mount on the port side.
- Mount the transducer away from hull openings, strakes, struts, trim tabs or any fittings that could disturb water flow over the transducer.
- If mounting the transducer in a location that comes out of the water, for example when the boat is planing, the sonar will not work while the transducer is out of the water.

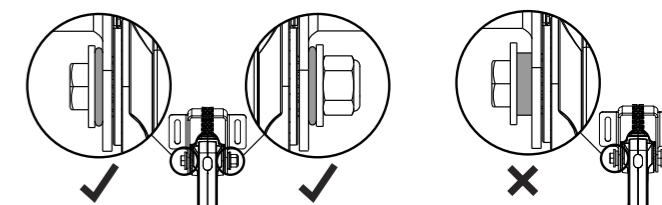
### Dimensions



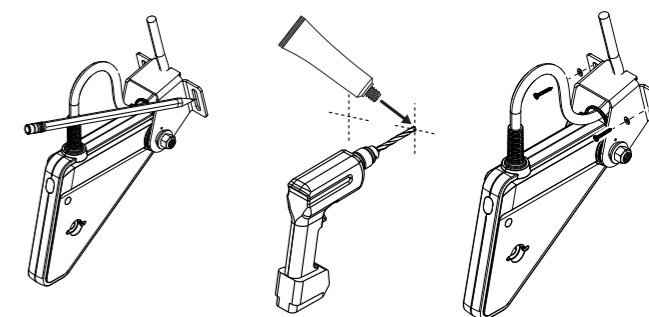
### Transom mount assembly



Tighten until the rubber washers expand to the diameter of the metal washers. Do not over tighten.



### Transom mount installation



Recommended pilot holes:

Soft materials	Ø 3.7-4.0 mm (5/32")
Hard materials	Ø 4.2-4.7 mm (3/16")

→ **Note:** Use a high-quality marine sealant to fill the pilot holes.

### Technical specifications

Environmental	
Operational water temp.	0°C to 35°C (32°F to 95°F)
Storage temp.	-30°C to 70°C (-22°F to 158°F)
Physical	
Weight	0.72 kg (1.58 lb)
Cable length	6 m (20 ft)
Mounting	Trolling motor lower unit Transom
Sonar	
Output	Depth Temperature Live Sonar - Down Live Sonar - Forward Chirp Sonar DownScan Imaging™ with Fish Reveal™

© 2024 Navico Group. All Rights Reserved. Navico Group is a division of Brunswick Corporation.

Reg. U.S. Pat. & Tm. Off. and ™ common law marks. Visit [www.navico.com/intellectual-property](http://www.navico.com/intellectual-property) to review the global trademark rights and accreditations for Navico Group and other entities.