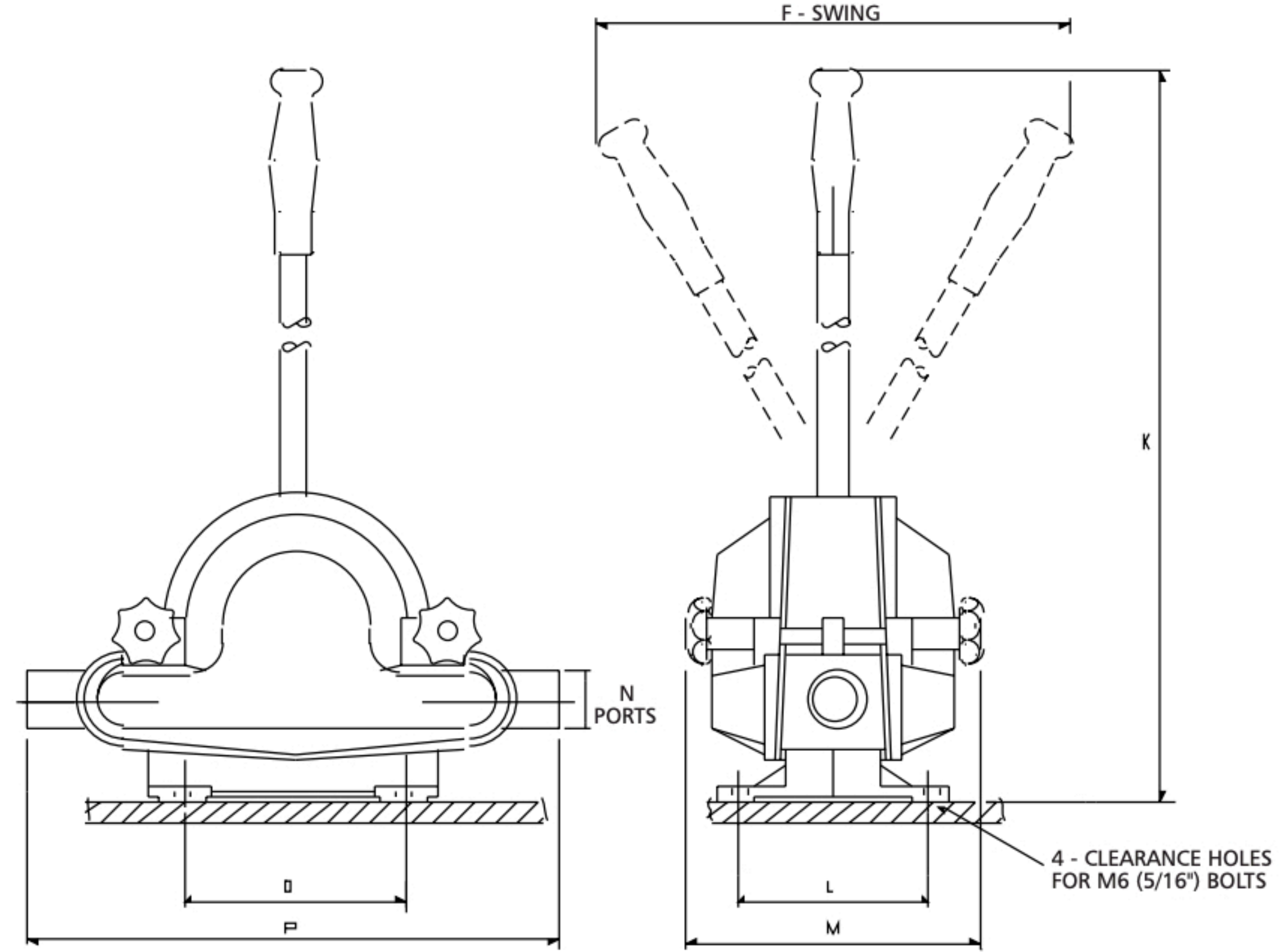
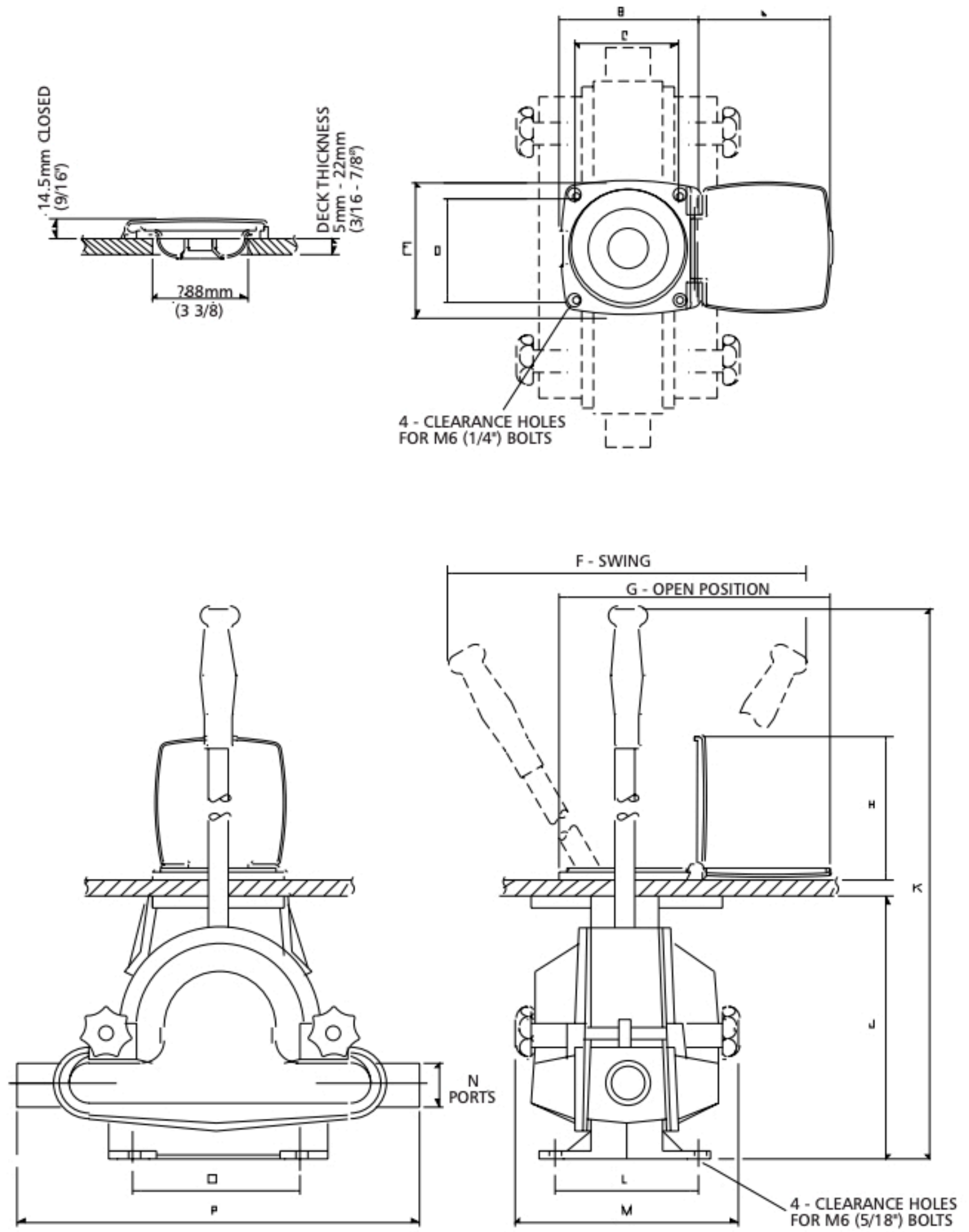


Through Deck Mounting

On Deck Mounting



F	K	L	M	N	O	P	UNITS	WEIGHT
310 (12.2)	680 (27)	130 (5.1)	200 (8)	38.1 (1.5)	150 (6)	355 (14)	mm (ins)	4.40 kg (9.7) (lbs)

A	B	C	D	E	F	G	H	J	K	L	M	N	O	P	UNITS	WEIGHT
14.5 (0.6)	Ø86 (3.4)	5-22 (02-09)	120 (4.7)	94 (3.7)	12.8 (0.5)	94 (3.7)	129 (5.1)	115 (4.5)	121 (4.8)	218 (8.58)	147 (5.8)	310 (12.2)	252 (9.9)	129 (5.1)	mm (ins)	1.2 kg (2.5) (lbs)