



UP28 R - UP33 R - UP39 R
UP45 R NEW
REAR MOUNT HELM PUMPS



FEATURES

- Available in four different displacement sizes
- Compact design
- Ball bearing piston race
- Built-in lock valve for positive rudder lock
- Integral relief valve for over-pressure protection
- 3/4" tapered stainless steel shaft
- Easily accessible lock valve and shaft seal for replacement
- Cast iron cylinder rotor for greater durability and longer life
- 1/4" NPT fitting for 3/8" tube
- Complete with elbow fittings and white bezel
- **UP45 R** pumps are ideal for double cylinder applications
- **X68** (optional) - 40894 Z Chrome bezel
- **KIT F** (optional) - 39664 Y Remote fill adapter

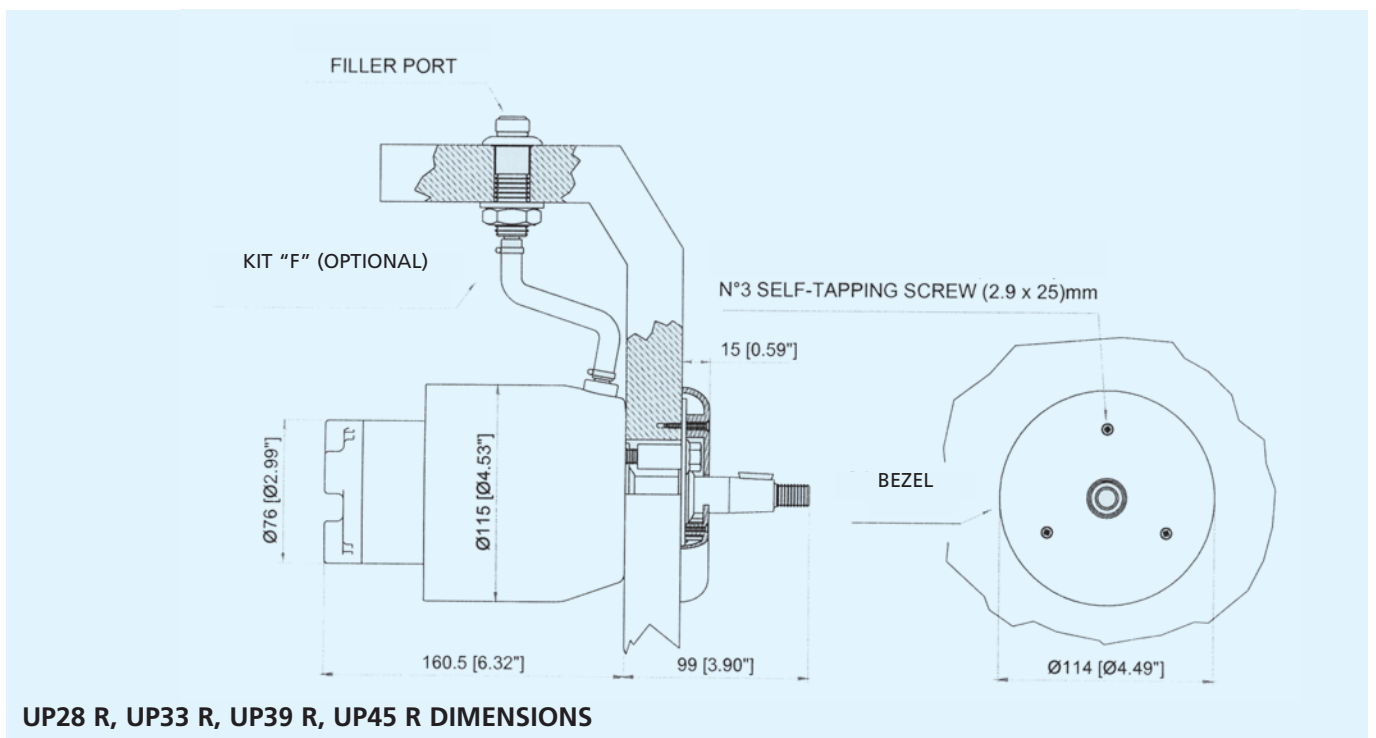


KIT F



X68

MOD.	P. No.	MOUNTING	DISPLACEMENT/ REVOLUTION	No. OF PISTONS	RELIEF VALVE SETTING	MAXIMUM WHEEL DIA.	WEIGHT
UP28 R	39970 F	Rear mount	28 cc - 1.7 cu.in	5	70 Bar - 1000 PSI	710 mm - 28"	5 kg - 11 lbs
UP33 R	39969 X	Rear mount	33 cc - 2.0 cu.in	7	70 Bar - 1000 PSI	710 mm - 28"	5 kg - 11 lbs
UP39 R	39444 H	Rear mount	39 cc - 2.4 cu.in	7	70 Bar - 1000 PSI	710 mm - 28"	5 kg - 11 lbs
UP45 R	41278 F	Rear mount	45 cc - 2.7 cu.in	7	70 Bar - 1000 PSI	710 mm - 28"	5 kg - 11 lbs



UP28 R, UP33 R, UP39 R, UP45 R DIMENSIONS