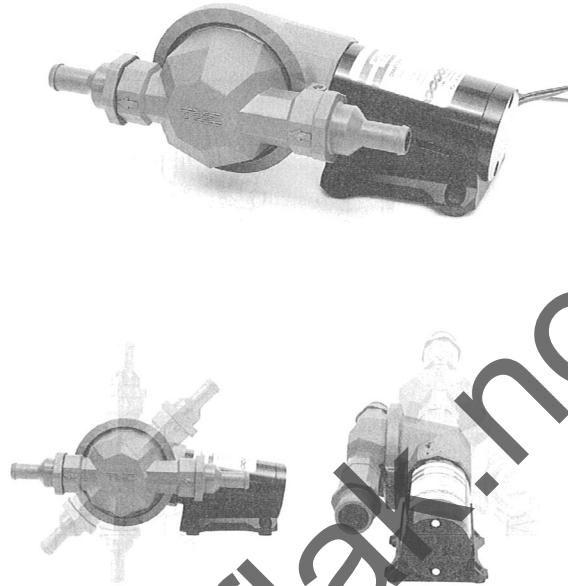




Shower & Sink Drain Pump Model : TMC-0620911



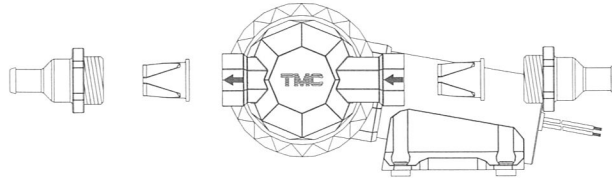
Product Feature:

- Single diaphragm pump suitable for galley or shower grey waste pumping.
- Self-Priming pump and can be run dry.
- Non-Choke valve, no filter required.
- Can pump a mixture of air and water.
- Adjustable clamping ring allows the head assembly to be rotated 360° to accommodate plumbing position.

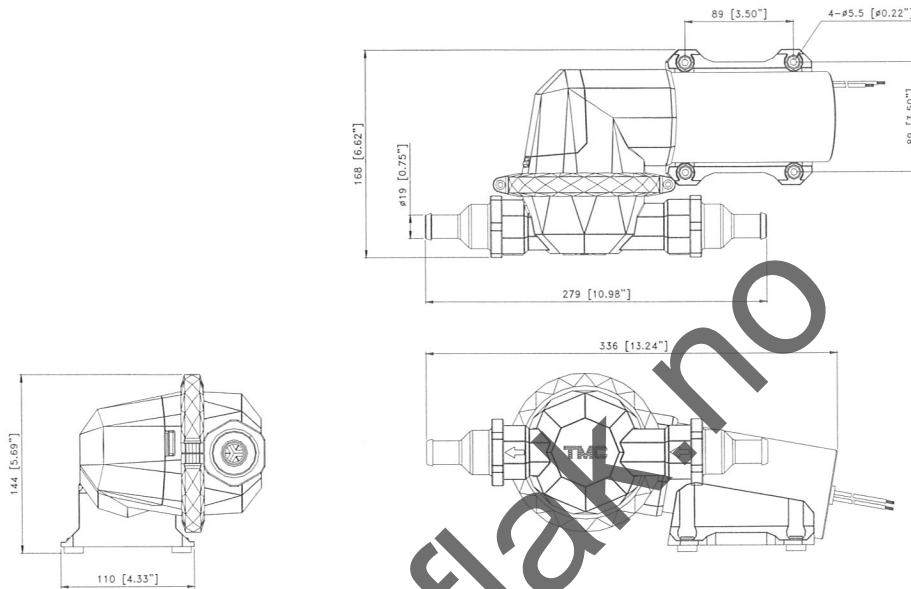
Specification:

Motor	: DC-12 V / 24V
Capacity	: 22 LPM(5.8 GPM)
Amp Draw	: 7 A (12V) / 3.5 A (24V)
Fuse Size	: 10 A (12V) / 5 A (24V)
Delivery Head	: 55 FT. (17M)
Self Priming	: 8.2FT. (2.5M)
Hose Dia.	: 3/4" (19 mm)
Order No.	: 503-6209011 12V 503-6209012 24V

Dimension Drawing :

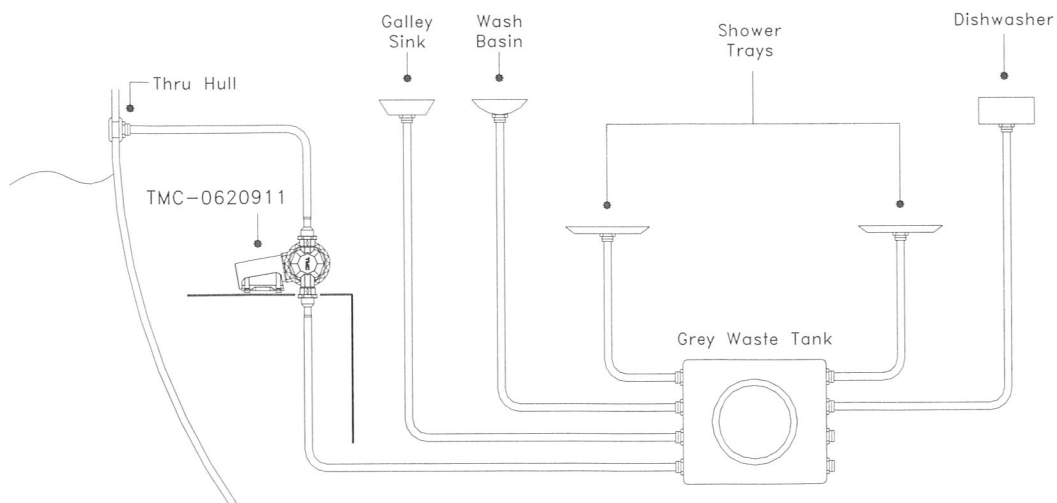


- Note: Choke valves shall be in-lined and of the same direction. Follow the direction indicated on pump ports.



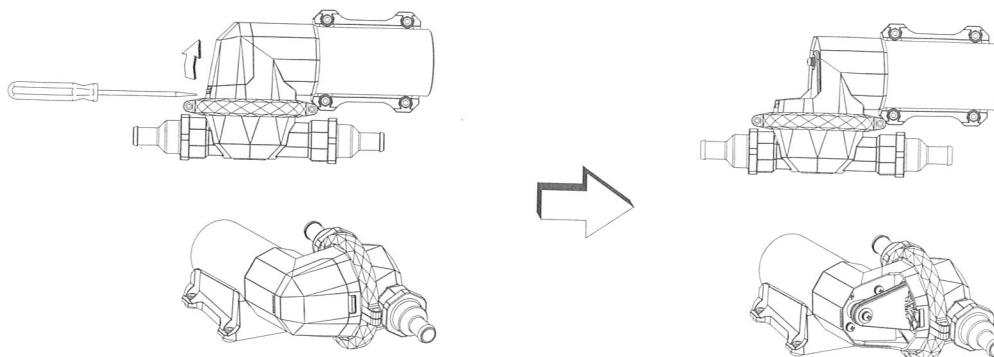
Installation:

- The TMC-0620911 is self priming up to 2.5m(8.2 ft).
- Use multi positional ports for easy mounting of the pump.
- If mounted vertically the motor should be above the pump head.
- Use rubber grommets provided to absorb vibration.
- Plumbing Connections: Use 19mm(3/4") ID. non-collapsible waste type suction hose.
- Connect the hose to inlet and outlet of pump using two stainless steel hose clamps at both ends.
- All suction connections must be airtight and free of sharp bends or restrictions.

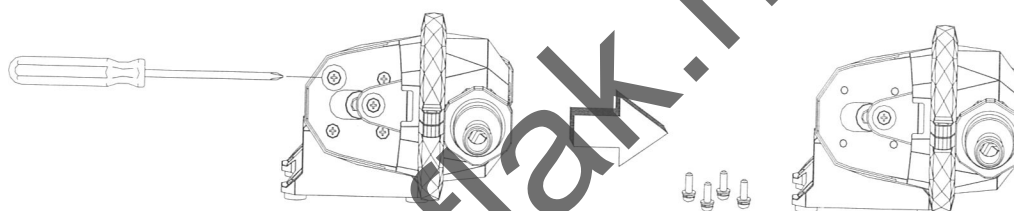


Rotation of Pump Head :

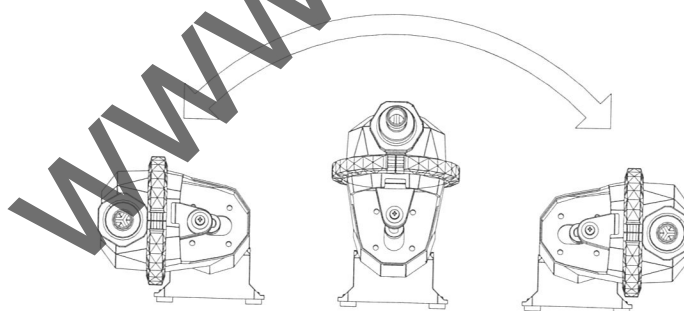
1. Base on working condition, determine the position of the pump head.
2. Place the pump in the place you need, then follow the steps :
 - a. Use slot screw driver to remove end cover.



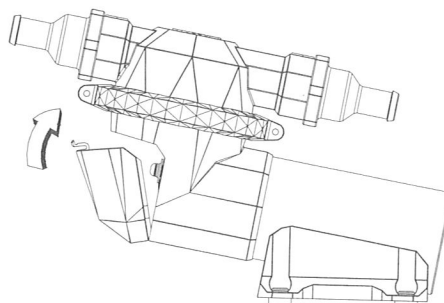
- b. Use cross screw driver to remove the 4 screws.



- c. Rotate the pump head to the position you desire.

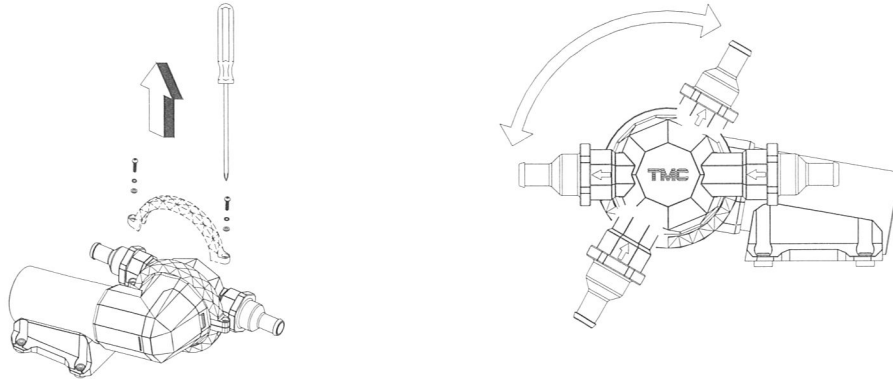


- d. Place the 4 screws back and secure tightly.
 - e. Put the end cover back - press the clip and close the cover until you hear a click.

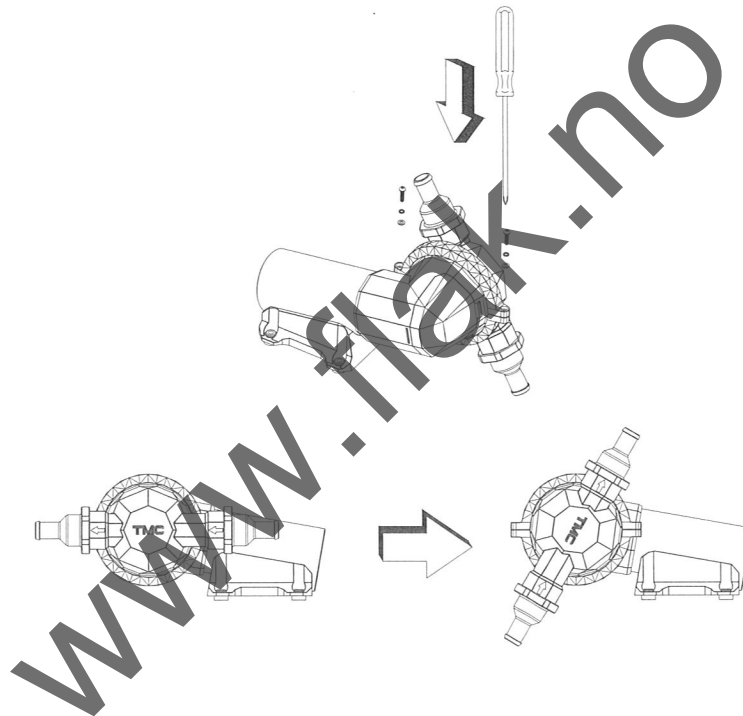


Rotation of Ports :

1. Remove the 2 screws and the clamp.
2. Rotate the ports to the desired position.



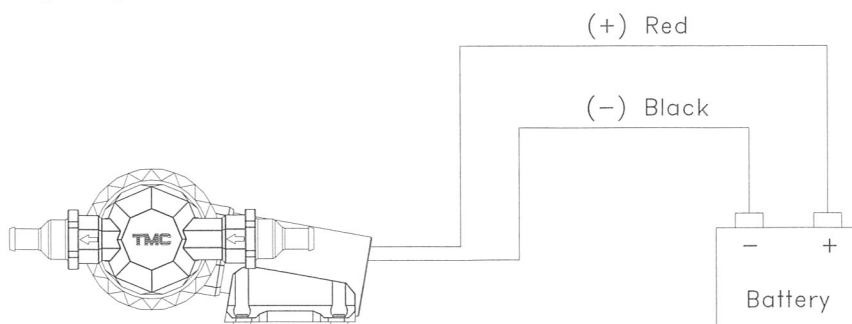
3. Place the clamp back and tight firmly.



Operation :

The dc motor pump is designed for intermittent duty and should not be run for more than 30 minutes continuously.

Wiring Diagram :



TMC-0620911

726-0151200