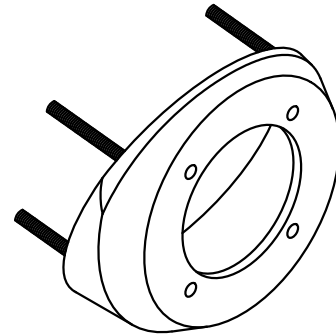


Wedge 20°

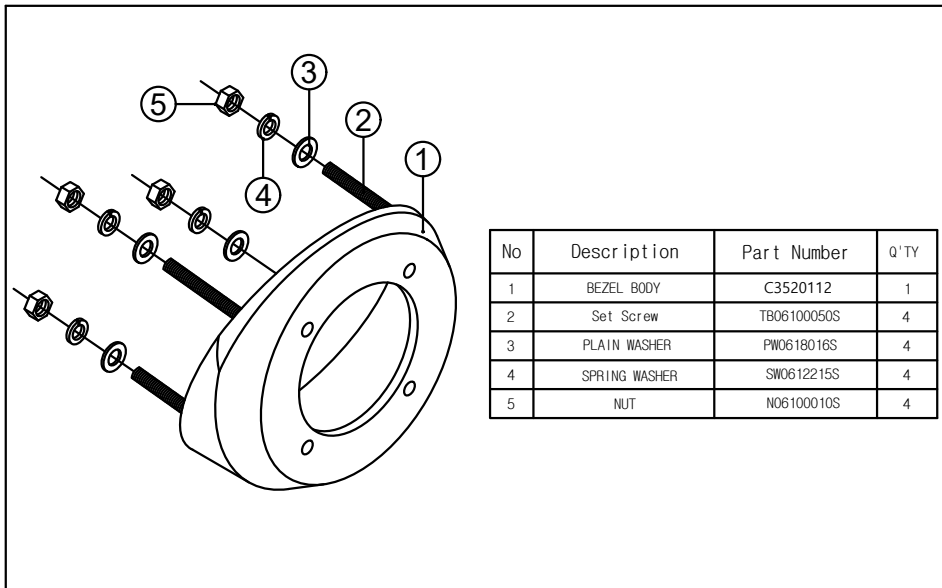
※ SHB100 (Protruding Type)

1. This product is an accessory that helps helm pump to be installed at an angle of 20 degree to the mounting surface.
2. It has 2 types of installation and this is protruding type.
3. Refer to the installation manual and install it on a boat accordingly



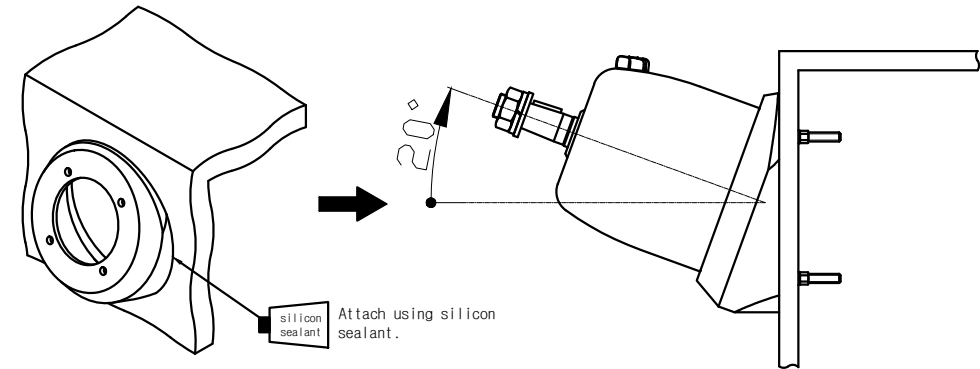
-SHB 100

4. Supply Scope of SHB100



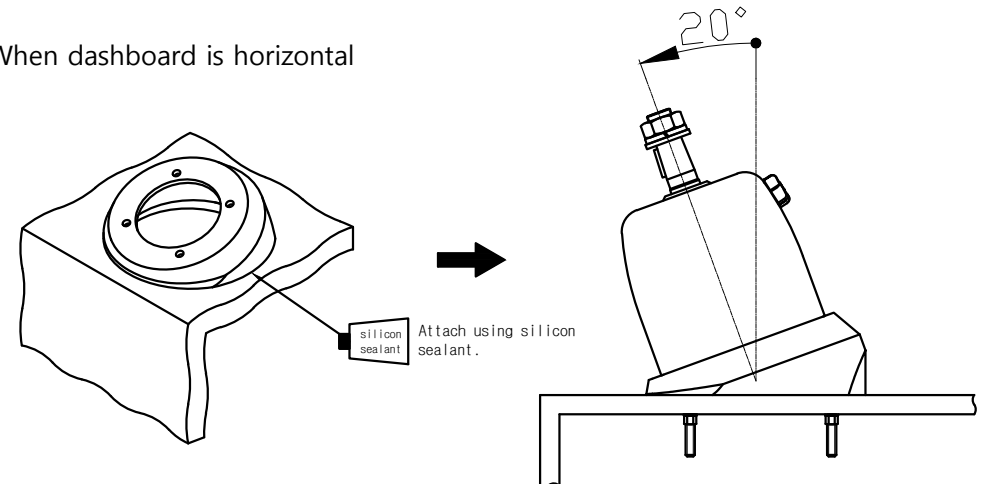
5. How to Install

- When dashboard is vertical



- 1) Cut out the holes ($\varnothing 125$, $\varnothing 7$) by using Template supplied with manual.
- 2) Fix SHB100 by tightening Plain Washer, Spring Washer, and NUT supplied as mounting hardware into holes.
- 3) Mount helm pump on the fixed SHB100.

- When dashboard is horizontal



- 1) Cut out the holes ($\varnothing 155$, $\varnothing 7$) by using Template supplied with manual.
- 2) Fix SHB100 by tightening Plain Washer, Spring Washer, and NUT supplied as mounting hardware into holes.
- 3) Mount helm pump on the fixed SHB100.