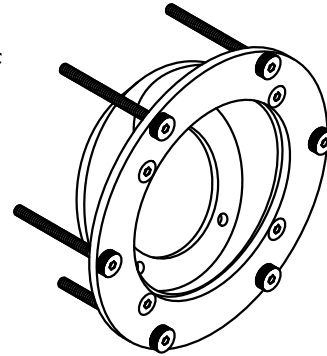


Wedge 20°

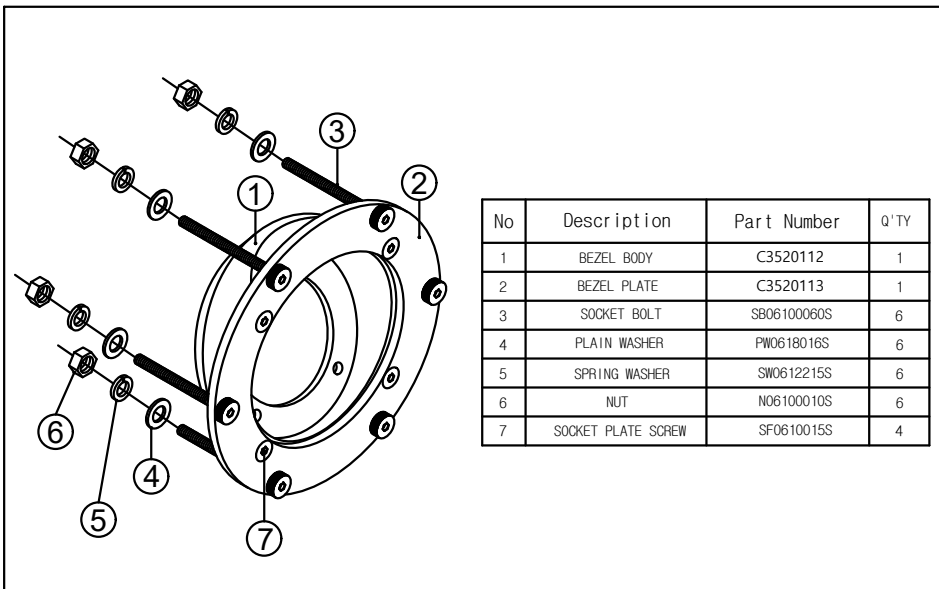
※ SHB200 (Embedded Type)

1. This product is an accessory that helps helm pump to be installed at an angle of 20 degree to the mounting surface.
2. It has 2 types of installation and this is Embedded type.
3. Refer to the installation manual and install it on a boat accordingly



-SHB 200

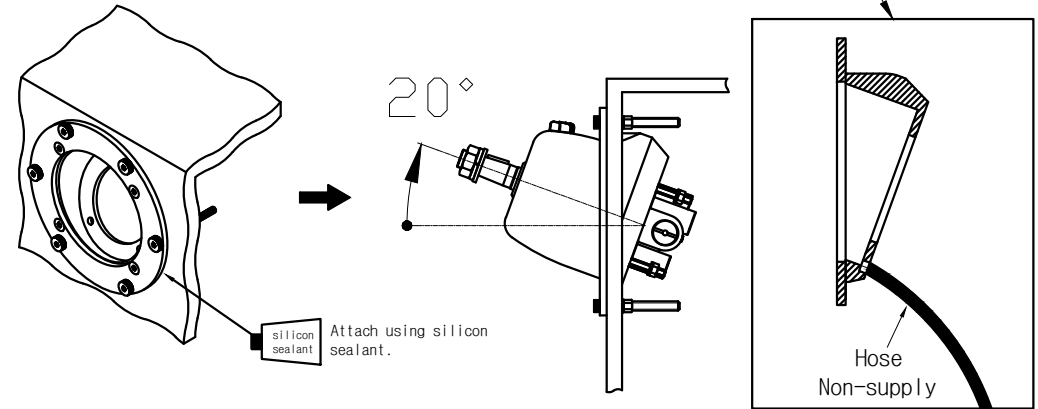
4. Supply Scope of SHB200



5. How to Install

- When dashboard is vertical

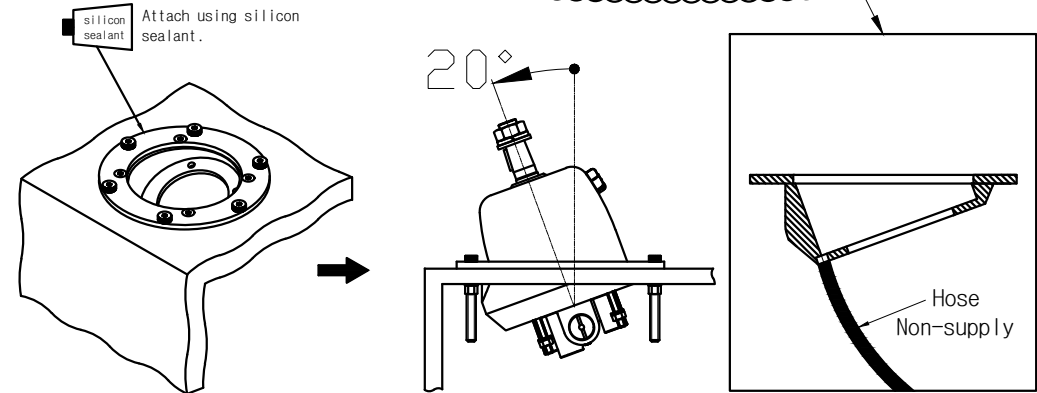
☆ Cut out a hole on the bottom of SHB200 as a picture below and connect hose to prevent water build up and drain water from SHB200.



- 1) Cut out the holes (Ø155, Ø7) by using Template supplied with manual.
- 2) Install SHB200 by tightening Plain Washer, Spring Washer, and NUT supplied as mounting hardware into holes.
- 3) Mount helm pump on the fixed SHB200.

- When dashboard is horizontal

☆ Cut out a hole on the bottom of SHB200 as a picture below and connect hose to prevent water build up and drain water from SHB200.



- 1) Cut out the holes (Ø155, Ø7) by using Template supplied with manual.
- 2) Fix SHB200 by tightening Plain Washer, Spring Washer, and NUT supplied as mounting hardware into holes
- 3) Mount helm pump on the fixed SHB200.