

10

9

8

7

6

5

4

3

2

1

K

J

H

G

F

E

D

C

B

A

K

J

H

G

F

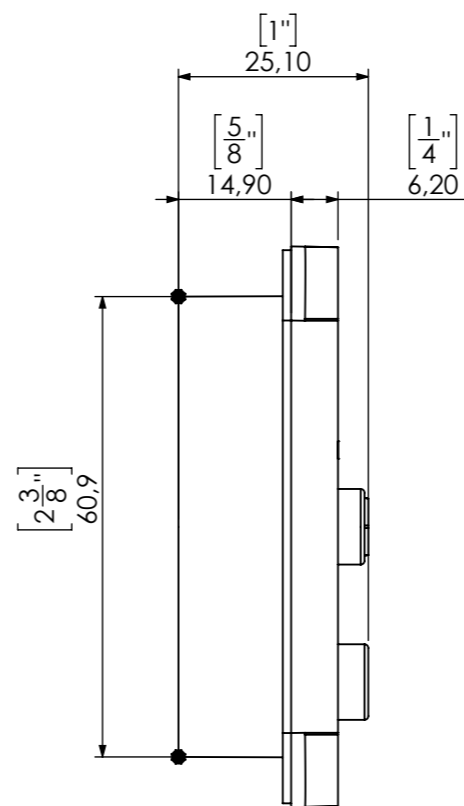
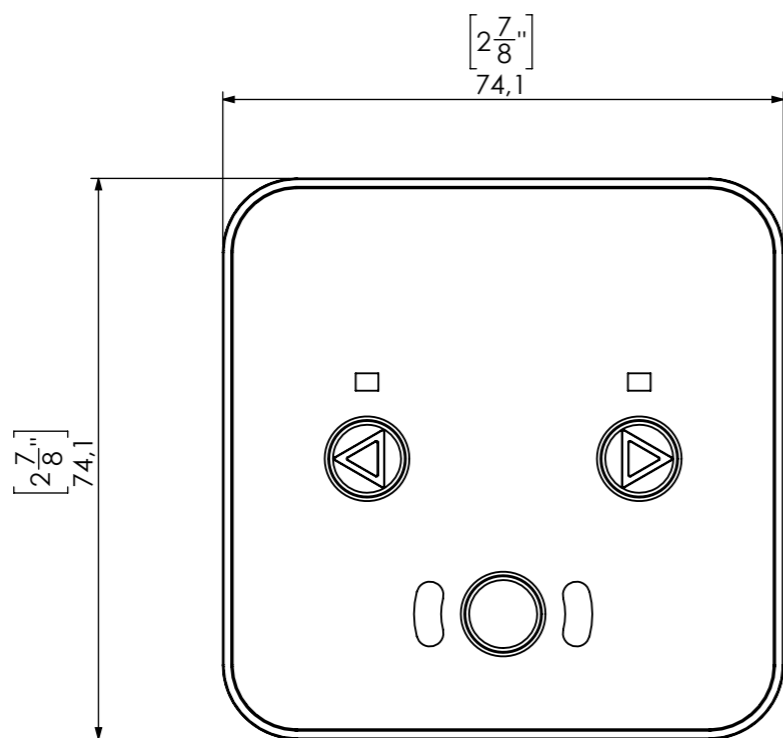
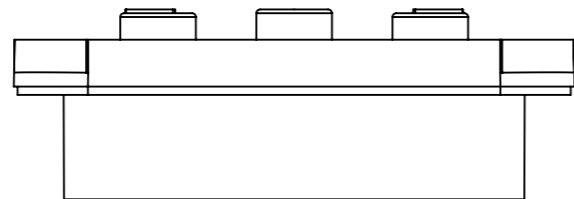
E

D

C

B

A



Proc. Lev.	Code

Rif. UNI EN 22786/1 - m	
Dimensioni in Millimetri	
Spigoli vivi non quotati R=0,3	
TOLLERANZE	
Quote	Scost.
>	<
0	10
±0,1	
10	100
±0,2	
100	500
±0,5	
±0,5°	

Via Piangipane 120/A - 48124 Piagipane (Ra)
Tel. +39.0544.415061 - Fax +39.0544.415047
www.quickitaly.com
E-mail: quick@quickitaly.com

This is an unpublished work the copyright in which rest in Quick S.r.l. All this document and its information is supplied without liability for error or party may be reproduced used or disclosed except as authorized by contract or permission.

Descrizione / Description WCD2022 COMANDO WINDLASS A PULSANTI		Materiale / Material	
Codice tavola / Draw code FNTCD2022000A00		Trattamenti termici / Heat treatment	
Rif. complessivo / Total reference WCD 2022		Trattamenti superficiali / Surface treatment	
Formato / Size A3		Data / Date 20/05/2021	
Scala / Scale 1:1		Foglio N° 1:1	
U.M. / M.U. mm	Volume ---	Peso / weight kg	

Disegnato da / Drawn by
P.F.

Approvato da / Checked by
L.G.

Evitare di rilevare le quote dal disegno / avoid obtaining measures from the drawing

Revisions			
Area	Rev.	Description	Approved by

10

9

8

7

6

5

4

3

2

1