

## Lifebuoy Rings

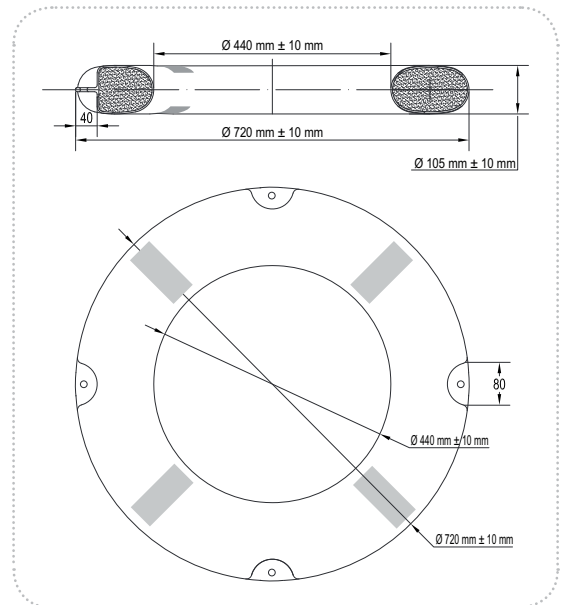
Fitted with SOLAS Retroreflective Tape



Hard, cross-linked polyethylene outer shell that will not deteriorate and will remain unaffected by extreme weather conditions.

### SPECIFICATIONS

Code	70090	70110	700901	701101
Approval	SOLAS/MED		USCG SOLAS	
Weight (kg)	2,5	4	2,5	4
Drop height (m)	80		80	
Buoyancy	≥ 145 Nt			
Lifebuoy shell / Internal material	HDPE / PU Foam			
Grab line material	PE			
Grab line diameter (mm)	9,5		11	
Highly visible colour	YES			
Storage temperature	-30°C up to + 65°C			
Resistant to flame & to diesel oil	YES			
Tested for operation with light & smoke signal	-	YES	-	YES
External/Internal diameter Ø	720 ± 10 mm / 440 ± 10 mm			
Height	105 ± 10mm			



### Combine with



Plastic Holder for Lifebuoy Ring, Set of 3pcs  
Code | 01107



CABO Floating Line, Orange  
Codes  
94801 | 70260



LALIZAS Lifebuoy Light SOLAS/MED/USCG  
Code | 71325



LALIZAS Lifebuoy Light SOLAS/MED/USCG - ATEX/IECEX  
Code | 71326



LALIZAS Lifebuoy Light M.O.B SOLAS/MED/USCG  
Code | 70030



LALIZAS Lifebuoy LED Light STELLA, SOLAS/MED  
Code | 196482