

OWNER'S MANUAL

BT104-AUX

Bluetooth 4.0 Stereo Audio Amplifier RMS 4x30W

Connects low impedance speakers direct to Bluetooth compatible devices

Compatible with most Bluetooth Devices

12V Power supply included

with Aux input

Password is required to sync to your devices

Bluetooth Version 4.0

Dimensions(H*W*D):28*127*61mm

Contains:

1*Bluetooth amplifier

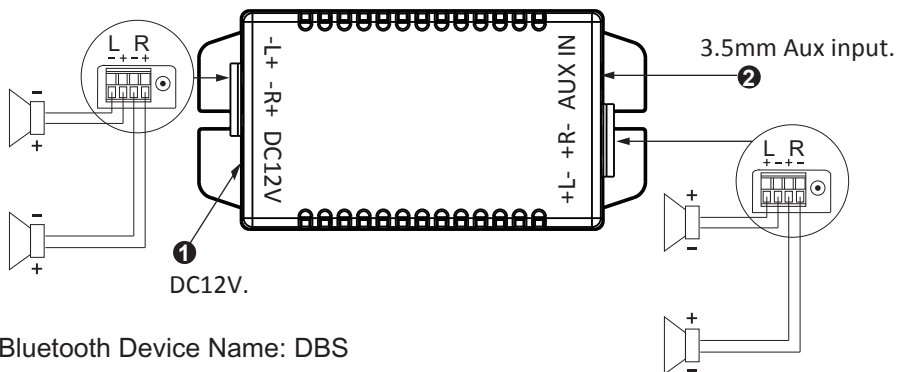
1*DC12V Line

4*3m speaker leads

When powering on the amplifier, while it is connected to a speaker, you will hear a tone which confirms the device is on.

To connect a Bluetooth device, search for the device name DBS and use the password located at the bottom of the sheet to connect.

When playing music, the Bluetooth audio input will take priority over the analog input located on the device. This means if the analog input is being used, and a Bluetooth device is connected, the amplifier will then use the Bluetooth device as the source. If the Bluetooth device is disconnected, and the analog device is still connected, the amplifier will then use the analog device as the source.



Bluetooth Device Name: DBS

Bluetooth Password: 0000