

VAQUITA USER MANUAL

VAQUITA Bedienungsanleitung

Feb, 2019 Version 1.1

Copyright © 2019 ePropulsion All Rights Reserved

Acknowledgements

Thanks for choosing ePropulsion products, your trust and support in our company are sincerely appreciated. We are dedicated to providing high-performance underwater thrusters, as well as electric outboards, reliable lithium batteries and accessories.

Welcome to visit www.epropulsion.com and contact us if you have any concerns.

Using this Manual

Before use of the product, please read this reference manual thoroughly to understand the correct and safe operations. By using this product, you hereby agree that you have fully read and understood all contents of this manual. ePropulsion accepts no liability for any damage or injury caused by operations that contradict this manual.

Due to ongoing optimization of our products, ePropulsion reserves the rights of constantly adjusting the contents described in the manual. ePropulsion also reserves the intellectual property rights and industrial property rights including copyrights, patents, logos and designs, etc.

This manual is subject to update without prior notice, please visit our website www.epropulsion.com for the latest version. If you find any discrepancy between your products and this manual, or should you have any doubts concerning the product or the manual, please visit www.epropulsion.com. ePropulsion reserves the rights of final interpretation of this manual.

This manual is multilingual, in the case of any discrepancy in interpretation of different language versions, the English version shall prevail.

Symbols

The following symbols will help to acquire some key information.



Important instructions or warnings



Useful information or tips

Product Identification

Below Figure 0-1 indicates the position of the serial number for VAQUITA Battery. Figure 0-2 and Figure 0-3 indicate the position of serial numbers for VAQUITA Remote Control and VAQUITA Motor.

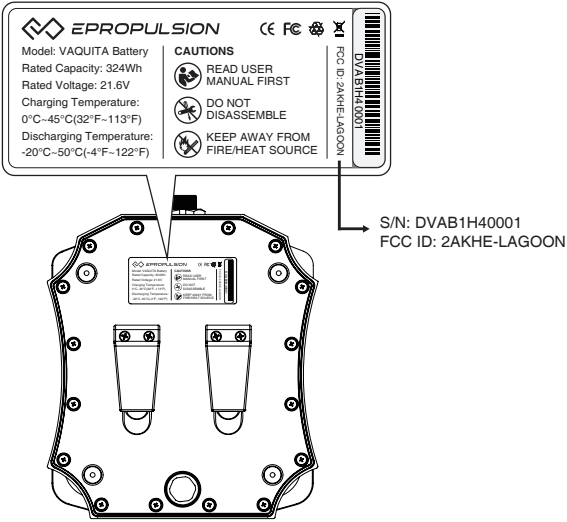


Figure 0-1

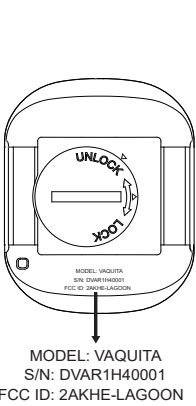


Figure 0-2

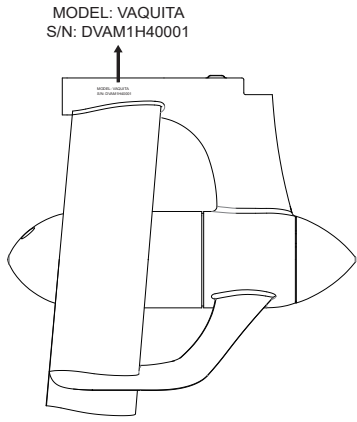


Figure 0-3


 The above three parts have different serial numbers. Please record all the three serial numbers for access to maintenance or other after-sale services.

Table of Contents

Acknowledgements	1
Using this Manual	1
Symbols	1
Product Identification	2
1. Important Safety Instructions	5
2. Product Overview	7
2.1 In the Package.....	7
2.2 Parts and Diagrams	9
2.3 Technical Data.....	11
2.4 Declaration	13
3. Installation	15
3.1 Installation of VAQUITA Motor	15
3.1.1 Installing with Standard Adapters	15
3.1.2 Installing with VAQUITA Universal Adapter	17
3.2 Fixing VAQUITA Battery	19
3.3 Connecting Battery to Motor	21
3.4 Attaching VAQUITA Remote Control	21
4. Operation	23
4.1 Using the Battery	23
4.1.1 Battery LEDs.....	23
4.1.2 Switching On/Off VAQUITA Battery.....	25
4.1.3 Charging the Battery.....	26
4.2 Use of VAQUITA Remote Control.....	27
4.2.1 Switching On/Off the Remote Control	27
4.2.2 Controlling the Motor.....	28
4.2.3 Replacing Battery for Remote Control	29
4.3 Pairing Remote Control with Battery	30
5. Detaching VAQUITA Motor	31

6. Transport and Storage..... 37
 6.1 Transport 37
 6.2 Storage..... 37

7. Routine Maintenance 38

8. Warranty..... 39
 8.1 Warranty Policies..... 39
 8.2 Out of Warranty 40
 8.3 Warranty Claim Procedures 40

1. Important Safety Instructions

This user manual contains important information pertaining equipment installation and safety instructions. Before starting to use the product, please read this manual fully and pay special attention to the following safety instructions:

Before Operation

- Users who are allowed to use VAQUITA should be in good physical state, know how to swim and how to paddle.
- Always wear a life vest and always wear a leash when operating.
- Always take a paddle on board.
- Only adults who have fully read and totally understood this manual are allowed to operate this product.
- Check the status and function of VAQUITA before use and make sure all components are in good condition.
- Make sure the VAQUITA Motor is securely mounted on the bottom of the SUP board/kayak, etc. before operation.
- Make sure the remote control works well by wireless connection.
- Familiarize yourself with all the operations related to this product.
- Check applicable local water safety rules and boating regulations before use.
- Observe the surrounding environment in advance to avoid unfavorable conditions such as strong winds, waves, currents or rapids, etc.

During Operation

- Do not rotate the motor in shallow water or out of water. Only operate it in water with enough depth and avoid all possible obstacles.
- Follow the correct operating instructions in this user manual.
- Attach VAQUITA remote control to your wrist or paddle for easy access.
- Do not run the motor if swimmers or other watercrafts are near the boat.
- Press the on/off button on the VAQUITA remote control immediately in emergency situations.
- Observe local water safety rules and boating regulations while operating the product.
- Do not run the motor under the influence of alcohol or drugs.
- Switch off VAQUITA Battery and VAQUITA remote control before detaching

VAQUITA Motor from the SUP board/kayak, etc.

- Make sure the power cable connector is tightened before use, otherwise severe damage may occur to the product during operation.

Handling

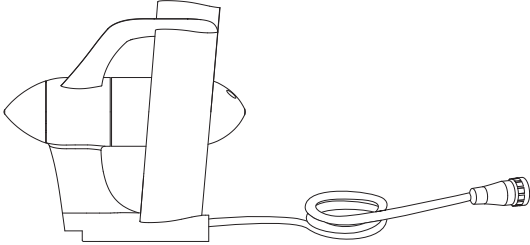
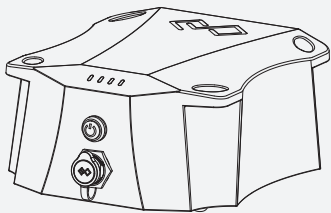
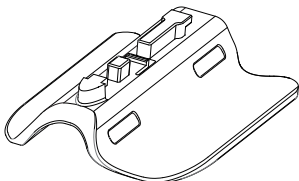
- **Never run the motor in the air as it will seriously shorten the motor service life, generate loud noise and possibly cut fingers. Even if users unintentionally run the motor in the air, the motor will stop running immediately in 5 seconds for protective purpose, and the motor may be unable to start normally. Never get close to the running propeller.**
- Never dismantle or repair the product on your own or by any unauthorized third party.
- Keep it away from flammable gas, corrosive and other dangerous substance.
- Store it in a dry and ventilated place without direct sun/rain exposure and store it far away from dangerous substances.
- Pay attention to battery safety and operate it in the right way to avoid short-circuit, overheat, overcharge and over-discharge. Never drop the battery.
- Only VAQUITA Charger designed for the battery. Other chargers may lead to shortened runtime, premature battery failure, or even fire or explosion.
- Clean VAQUITA Motor with fresh water after each use.

2. Product Overview


VAQUITA is a set of electric propulsion kit designed for SUP board/kayak. VAQUITA is compatible with nearly all SUP boards, kayaks, canoes, etc. This product mainly consists of VAQUITA Motor, VAQUITA Battery and VAQUITA Remote Control. This small but mighty propulsion kit supports over 1 hour of full-speed running, perfectly backing you up whether you need a rest or want to go further.


2.1 In the Package

Unpack the package and check if there is any damage caused during transport. Check all the items inside the package against the below list. If there is any transport damage or lack of any listed item, please contact your dealer immediately.

No.	Items	Qty./Unit	Figure
1	VAQUITA Motor	1 set	
2	VAQUITA Battery	1 set	
3	VAQUITA Universal Adapter	1 piece	

4	US Fin Box Adapter (standard)	1 set	
5	Inflatable SUP Fin Box Adapter (standard)	1 set	
6	Ratchet Strap	2 pieces	
7	VAQUITA Battery Charger	1 set	
8	VAQUITA Remote Control (w/ a loop band)	1 set	
9	User Manual, Quick Start, Warranty Card, Quality Certificate & Lanyard	1 set (in a zip-lock bag)	

 Attach the VAQUITA Motor to the bottom of the watercrafts by using a standard adapter which is compatible with the fin box on the watercraft, or using the VAQUITA universal adapter for watercrafts that have different fin boxes or without a fin mounting system.

 Other accessories mentioned in this manual are not included in the package. Please place additional orders if you need them.

 Save the original package for transport and storage.

2.2 Parts and Diagrams

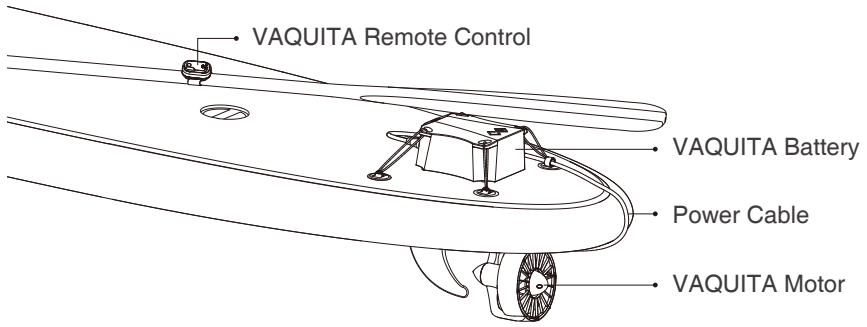


Figure 2-1 Overview

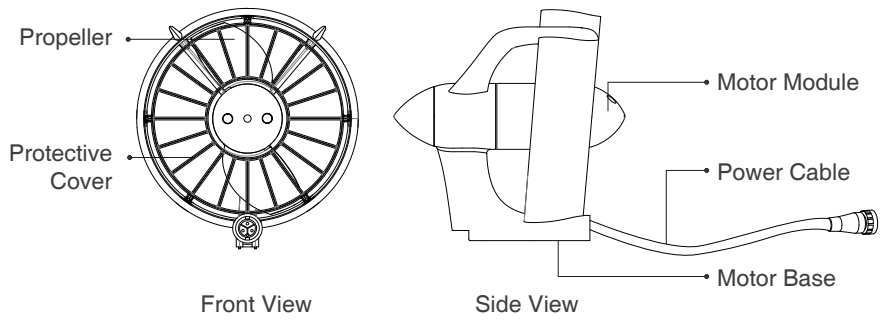


Figure 2-2 VAQUITA Motor

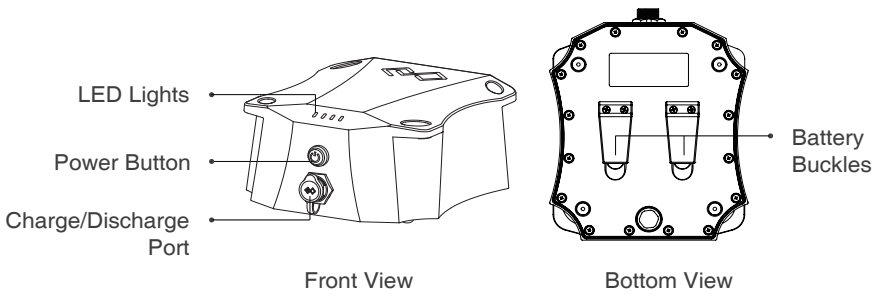


Figure 2-3 VAQUITA Battery

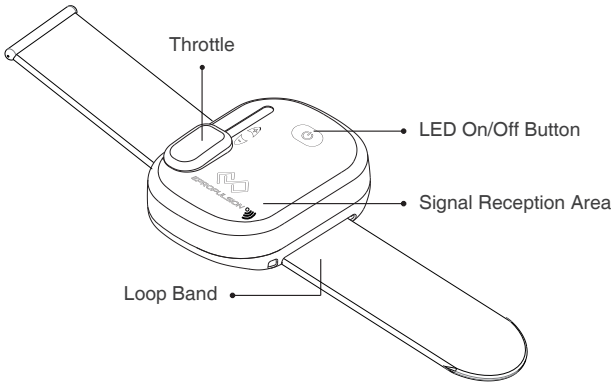


Figure 2-4 VAQUITA Remote Control

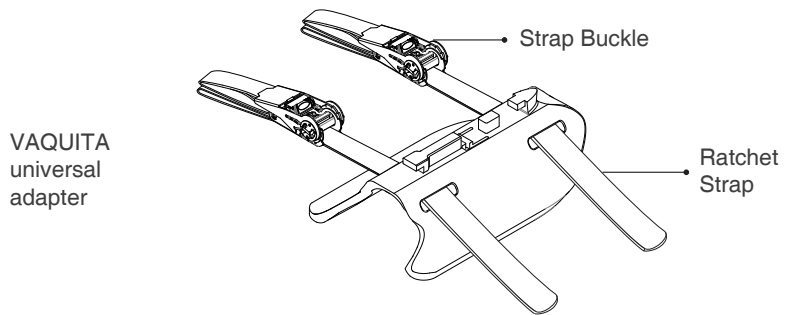
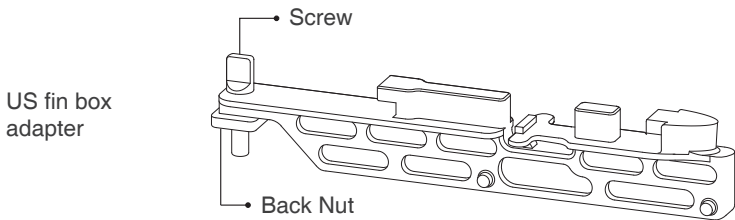
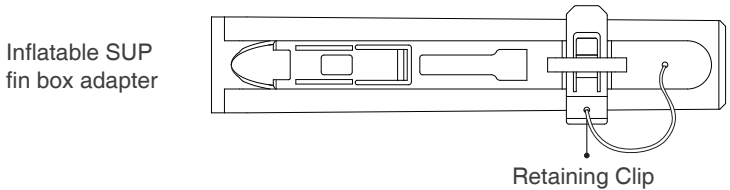


Figure 2-5 Adapters


2.3 Technical Data

VAQUITA General Data	
Input power	300 W
Static thrust	23 lbs.
Total weight	5 kg / 11 lbs.
VAQUITA Motor weight	1.5 kg / 3.3 lbs.
Dimension	182 mm x 168 mm x 182 mm / 7.2" x 6.6" x 7.2"
Propeller diameter	150 mm / 5.9"
Propeller pitch	115 mm / 4.5"
Maximum Rotation Speed	1800 rpm

VAQUITA Battery	
Battery type	Lithium-ion
Rated capacity	324 Wh
Rated voltage	21.6 V
Final charging voltage	25.2 V
Cutoff voltage	18 V
Weight	2.5 kg
Cycle life	≥500 cycles (80% of rated capacity)
Charging time	3 hrs.
Temperature range	Charging: 0°C ~ 45°C / 32°F ~ 113°F Discharging: -20°C ~ 50°C / -4°F ~ 122°F
Dimension	216 mm x 178 mm x 100mm / 8.5" x 7" x 4"

VAQUITA Remote Control	
Type	Wireless
Throttle speed	8 levels
Forward/Reverse control	Forward control available
Power source	One in-built button cell (CR2032)

VAQUITA Charger	
Input power	180 W
Input voltage (AC)	100 V ~ 240 V
Input frequency	50 Hz / 60 Hz
Input current	≤ 3 A
Output voltage (DC)	25.2 V / 7 A
Temperature range	Operating: -29°C ~ 45.5°C / -20.2°F ~ 113.9°F Storage: -40°C ~ 75°C / -40°F ~ 167°F
Efficiency	≥87%

 Battery performance is dependent on many external factors such as operating environment and conditions of SUP board/kayak, etc.

2.4 Declaration

Object of the Declaration:

Product: Kayak/SUP Motor

Model: VAQUITA, VAQUITA S

Company Name: Dongguan ePropulsion Intelligence Technology Limited

Company Address:

Room 202, Bldg.17A, Headquarter No.1, 4th XinZhu

Road, SongShan Lake District, Dong Guan City, Guang Dong Province,
China

The object of the declaration is in conformity with the following directives:

EMC-directive 2014/30/EU

MD-directive 2006/42/EC

RED Directive 2014/53/EU

Applied standards:

EN 55014-1:2006+A1:2006+A2:2011 EN 55014-2:2015

EN 61000-3-2:2014 EN 61000-3-3:2013

EN 60204-1: 2016 EN ISO 12100: 2010

EN 301 489-3: V2.2.0 EN 301 489-1: V2.2.1

The original certificate was issued by

Shenzhen An-Teng Testing Service Co., Ltd. in Shenzhen, China.

CE Test Report No.: ATT11803260080E, ATT11803260080M,
ATT11803260080D

Issued Date: March 27, 2018

This device complies with part 15 of the FCC Rules: Operation is subject to the following two conditions:

- (1) This device may not cause harmful interference and,
- (2) This device must accept any interference received, including interference that may cause undesired operation.

FCC Test Report No.: GTS201803000218F02

Issued Date: March 26, 2018

FCC Statement

This equipment has been tested and found to comply with the limits for a Class B digital device, pursuant to Part 15 of the FCC Rules. These limits are designed to provide reasonable protection against harmful interference in a residential installation. This equipment generates uses and can radiate radio frequency energy and, if not installed and used in accordance with the instructions, may cause harmful interference to radio communications. However, there is no guarantee that interference will not occur in a particular installation. If this equipment does cause harmful interference to radio or television reception, which can be determined by turning the equipment off and on, the user is encouraged to try to correct the interference by one or more of the following measures:

- Reorient or relocate the receiving antenna.
- Increase the separation between the equipment and receiver.
- Connect the equipment into an outlet on a circuit different from that to which the receiver is connected.
- Consult the dealer or an experienced radio/TV technician for help.

The manufacturer is not responsible for any radio or TV interference caused by unauthorized modifications to this equipment. Such modifications could void the user's authority to operate the equipment.

Signature: 

Shizheng Tao, Chief Executive Officer & Cofounder of
Dongguan ePropulsion Intelligence Technology Limited

3. Installation

VAQUITA comes with two adapters that can be fit into two major standard fin boxes which are widely used on most SUP boards and a universal adapter for kayaks and any small watercraft without standard fin boxes.

3.1 Installation of VAQUITA Motor

Before installing the VAQUITA Motor to a SUP board/kayak, etc., note that the SUP board/kayak, etc. must be strong enough to support the VAQUITA Motor and VAQUITA Battery.

3.1.1 Installing with Standard Adapters

Two standard adapters are available in the package: US fin box adapter and inflatable SUP fin box adapter. These two standard adapters have compatible fin boxes. Choose one and follow the below steps to attach VAQUITA Motor to the standard fin box.

a. Installing with US fin box adapter

- 1) Attach the US fin box adapter onto the motor base (Figure 3-1). First align the adapter with the motor base; then insert the adapter into the motor base until it is well attached.

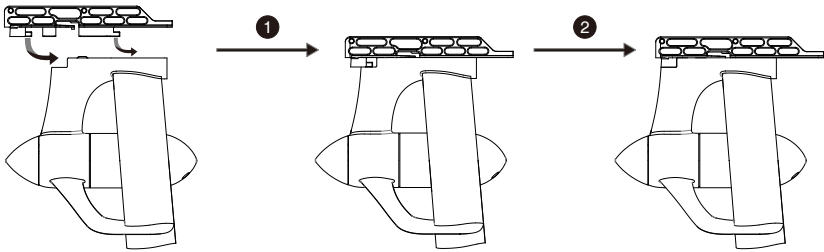


Figure 3-1

- 2) Turn the SUP board/kayak bottom up to attach the US fin box adapter.
 - ① Place the back nut into the fin box and move the nut to the end close to the tail of the SUP board/kayak, etc.
 - ② Insert the adapter into the fin box in the direction of arrow, and slide it in until it fully enters;

- ③ Move the nut in the slot to align it with the hole of the adapter, then insert the screw through the hole and into the back nut.
- ④ VAQUITA motor is well attached to the US fin box.

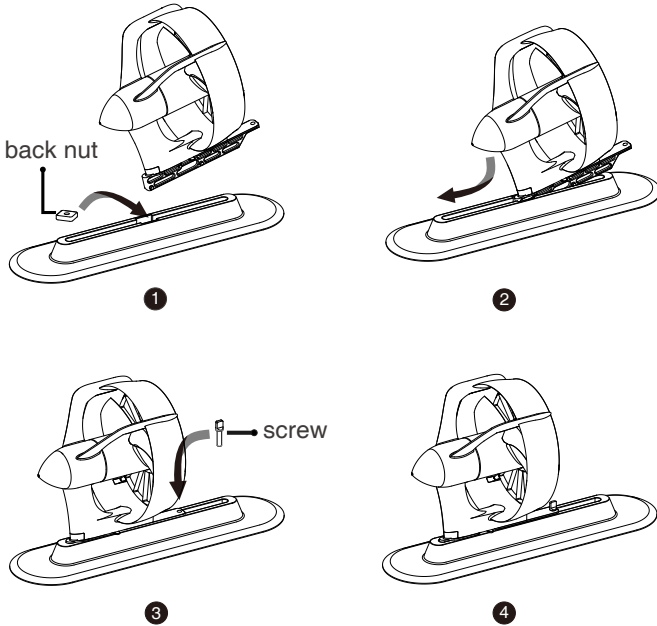


Figure 3-2

💡 The propeller should face the tail of the SUP board/kayak, etc.

b. Installing with inflatable SUP fin box adapter

- 1) Attach an inflatable SUP fin box adapter onto the motor base (Figure 3-3). First align the adapter with the motor base; then insert the adapter into the motor base until it is well attached.

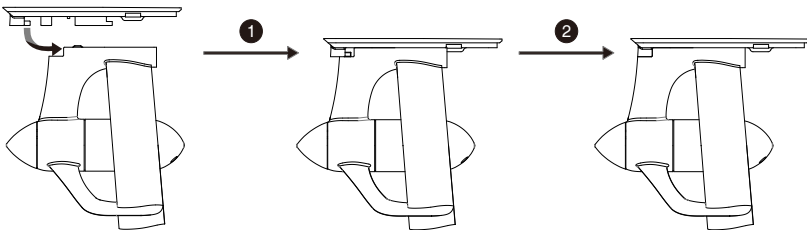


Figure 3-3

2) Turn the SUP board/kayak bottom up to attach the inflatable SUP fin box.

- ① Slide the standard adapter fully into the fin box.
- ② Insert the retaining clip to lock the adapter (Figure 3-4).

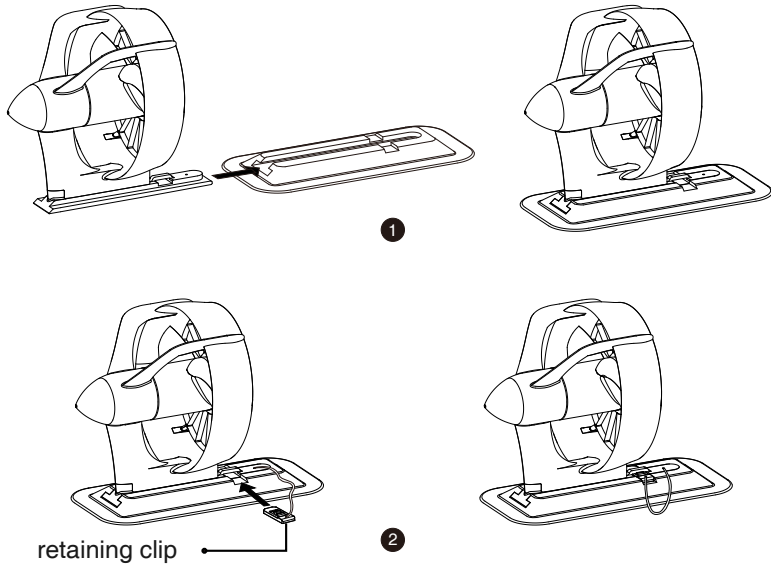


Figure 3-4

- ⚠ Do not force the adapter into the fin box. If the adapter can't fit into the fin box properly, slide it out and check if the installing direction is correct.
- 💡 The propeller should face the tail of the SUP board/kayak, etc.
- 💡 Make sure the fin box is clean before installing the motor.

3.1.2 Installing with VAQUITA Universal Adapter

If the SUP board/kayak, etc. has no fin box or if both the two standard adapters can't fit into the existing fin mounting system, it's suggested to use VAQUITA universal adapter to attach VAQUITA Motor.

- ① Turn the SUP board/kayak, etc. bottom up.
- ② Penetrate the two ratchet straps through the side opening of the universal adapter and attach the universal adapter onto the relatively flat part on the bottom.

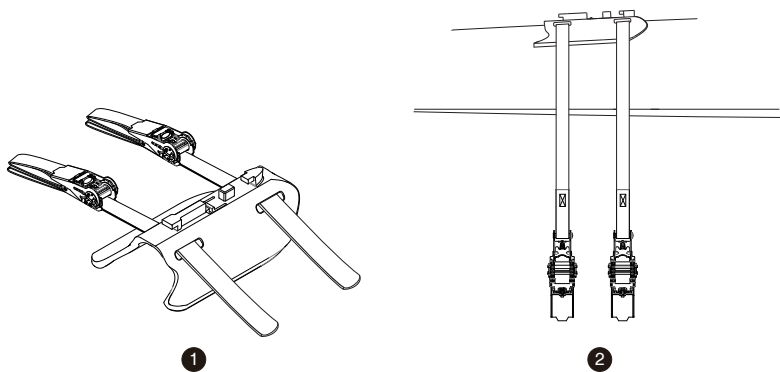


Figure 3-5

- ③ Penetrate the strap into the buckle.
- ④ Repeat unfolding and folding the buckle to tense the strap. Fold the buckle when the strap is tensed.

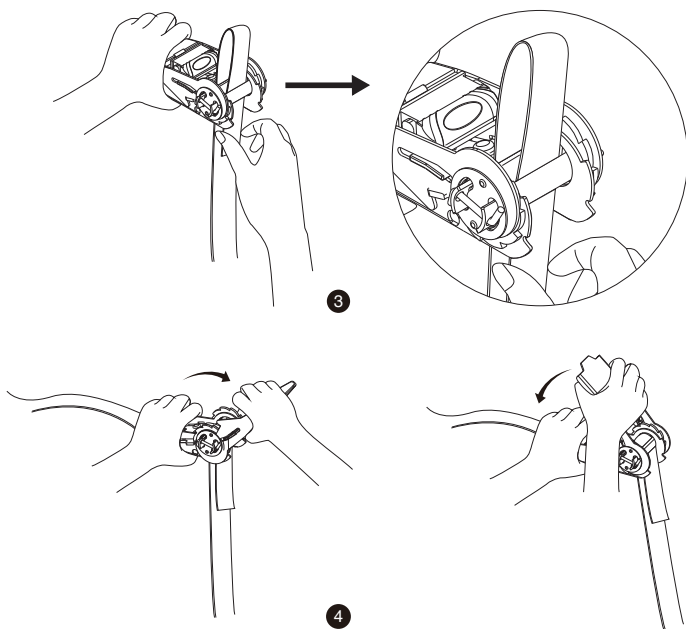


Figure 3-6

- ⑤ Attach the motor to the universal adapter as shown in Figure 3-7.

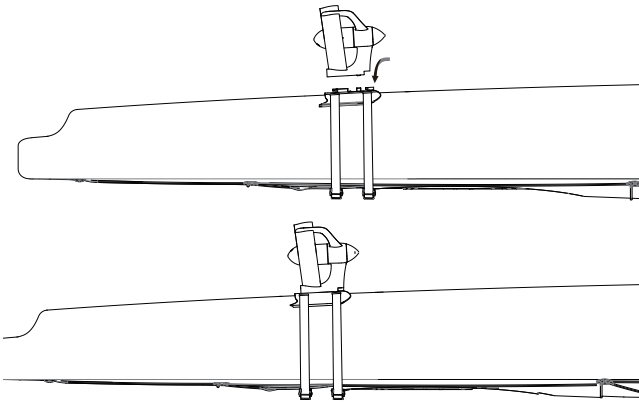


Figure 3-7

- 💡 The propeller should face the tail of the SUP board/kayak, etc.
- 💡 While installing the universal adapter, make sure the adapter is in alignment with the bottom centerline of the SUP board/kayak, etc.

3.2 Fixing VAQUITA Battery

a. Fixing VAQUITA Battery on SUP board

There are mainly two ways to fix VAQUITA Battery on a SUP board. For SUP board with bungee system, the battery can be fixed with bungee cords.

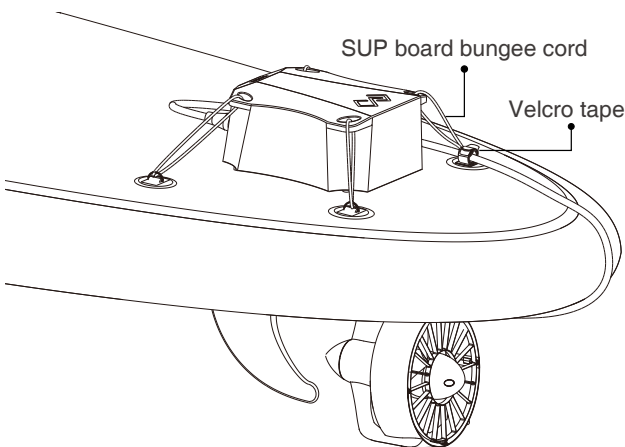


Figure 3-8 Fix the battery with bungee cords

For SUP boards without bungee system, users can make use of the buckles on the bottom of the VAQUITA Battery to clip a ratchet strap tied around the SUP board.

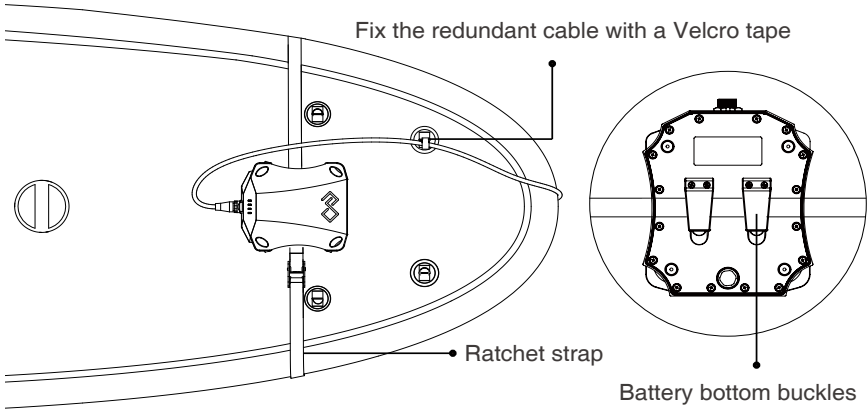



Figure 3-9 Fix the battery by ratchet strap

 Fix the redundant power cable with a Velcro tape.

b. Fixing VAQUITA Battery on Kayaks

For kayaks with enough cabin space, the battery can be simply placed inside the cabin. For some kayaks, the battery can also be fixed on the rear part of the kayak with its bungee cords as shown in below figure.

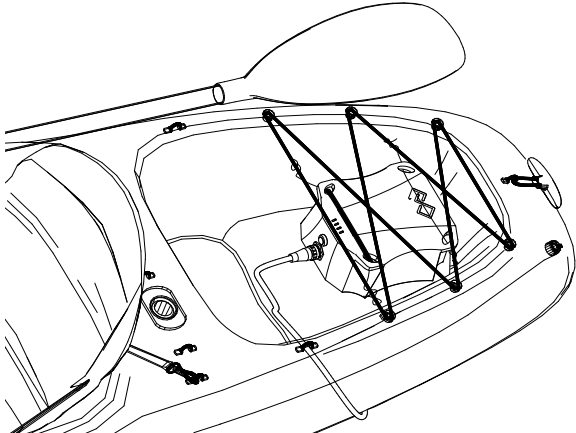


Figure 3-10
20

3.3 Connecting Battery to Motor

Flip the SUP board/kayak, etc. over after the motor is firmly installed. Plug the motor cable connector into the charge/discharge port of VAQUITA Battery and tighten the connector. Fix the power cable with a Velcro tape.

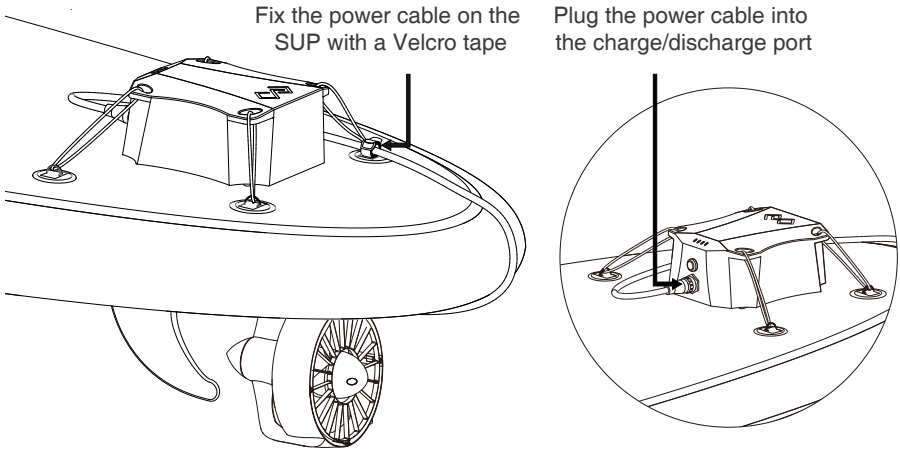


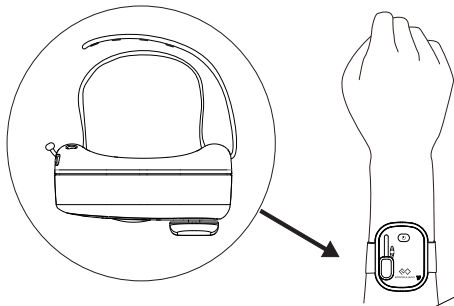
Figure 3-11

- 💡 Pay attention not to hit the thruster against the ground or other objects while turning the SUP board/kayak, etc.
- ⚠️ Make sure VAQUITA Battery is switched off and the connectors are dry before installing the motor.

3.4 Attaching VAQUITA Remote Control

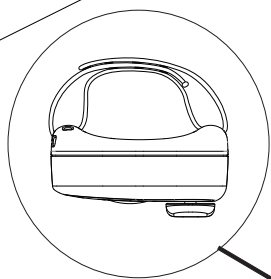
VAQUITA Remote Control can be attached to a paddle or wrist for easy access. You need to penetrate the band through the side opening of VAQUITA Remote Control and bind the strap tightly around the wrist or paddle as shown in Figure 3-12.

- 💡 Make sure the band is tightly bound if you wear it or attach it to a paddle to avoid it falling into water.
- 💡 If VAQUITA Remote Control falls into water by accident, a wireless communication failure may occur and VAQUITA Motor will stop rotation at once.



Method 1

Wear VAQUITA Remote Control on the wrist.



Method 2

Attach VAQUITA Remote Control to a paddle.

Figure 3-12

4. Operation

To operate VAQUITA, it's critical to understand how to use the battery and remote control correctly. Read this part carefully before any operation.

4.1 Using the Battery

4.1.1 Battery LEDs

The four LEDs of VAQUITA Battery display battery level, indicate errors and show pairing status. Find the LEDs in below figure.

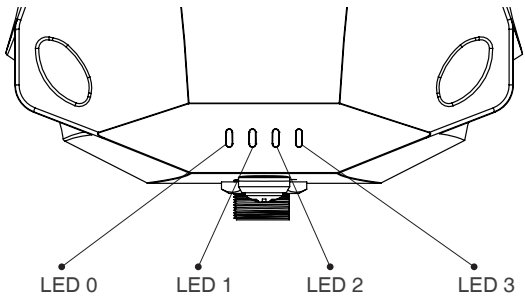


Figure 4-1

This table illustrates LED status while charging and discharging.

Battery Condition	Description	Battery Level (L-R)			
Charging	0%~40%	★			
	40%~60%	●	★		
	60%~80%	●	●	★	
	80%~99%	●	●	●	★
	100%	●	●	●	●
Discharging	0%~20%	★	★	★	★
	20%~40%	●			
	40%~60%	●	●		
	60%~80%	●	●	●	
	80%~100%	●	●	●	●

Note: ● refers to steady light, ★ refers to flashing light (1Hz).



If the battery is between 0% ~ 20% when discharging, all LEDs will flash simultaneously to remind you to charge the battery ASAP.

If the LEDs present abnormal flashing states, please check the below troubleshooting table for proper solutions.

Abnormal LED States				Errors	Solutions
L0	L1	L2	L3		
☆	☆			Error1: VAQUITA Remote Control communication failure	1. Make sure the remote control is powered on. 2. Please refer to <i>section 4.3 Pairing VAQUITA Remote Control with VAQUITA Battery</i> to conduct pairing.
		☆	☆		
		☆		Error2: VAQUITA Battery communication failure	Please restart the VAQUITA Battery.
		☆	☆	Error3: Other errors of the battery	Please restart the VAQUITA Battery.
	☆	☆	☆	Error4: VAQUITA Battery over-temperature	Stop operation and wait until the temperature falls within the normal operating temperature range.

Note: ☆ refers to flashing light (an interval of 0.2s, a frequency of 5Hz).



If error1 occurs, L0 and L1 flash alternately with L2 and L3.



If an error occurs in a non-charging state, the LEDs will display the battery level (for 3s) and the error (for 3s) alternately.



If multiple errors occur simultaneously, the errors will be displayed in this priority sequence: Error4 → Error3 → Error1 → Error2.



Error4 VAQUITA Battery over-temperature may occur during charging.



If the error persists, please consult the authorized dealers for help.

4.1.2 Switching On/Off VAQUITA Battery

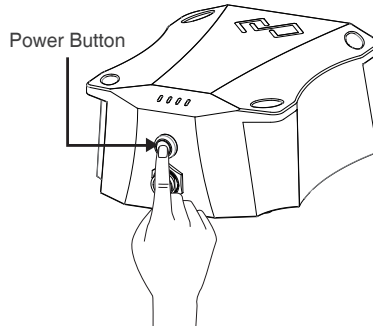


Figure 4-2

The below table indicates how to switch on/off VAQUITA Battery.

Operation	Description
Switch on	In power-off state, press the power button and hold until all LEDs light up one by one. Then release the button. 💡 The battery will fail to be switched on if the power button is released before all LEDs light up.
Switch off	In power-on state, press the power button and hold until all LEDs light off one by one. Then release the button. 💡 The battery will fail to be switched off if the power button is released before all the four LEDs light off, and all the four LEDs will flash simultaneously.

- ⚠️ Before mounting VAQUITA Motor, make sure VAQUITA Battery is switched off, and the connectors are dry.
- ⚠️ Before switching on VAQUITA Battery, make sure VAQUITA Motor is safely mounted on the bottom of the SUP board/kayak, etc.
- 💡 If no electrical activity is detected within an hour after the battery is switched on, the battery will enter sleep mode automatically, and the LEDs will all go out. The battery should be restarted if it is going to be used again.
- 💡 If communication breaks (eg. the remote control is turned off), the battery LEDs will flash in pair. When communication resumes, the LEDs will display real-time battery level.

4.1.3 Charging the Battery

Important notes before charging

- Only use VAQUITA Charger to charge VAQUITA Battery. Do not use any third-party chargers.
- Only charge the VAQUITA Battery in within 0°C~45°C (32°F~113 °F).
- Avoid water contact during charging process.
- Avoid direct sun/rain exposure during charging process.
- Do not overcharge the battery.
- Keep the battery away from flammable substance like a carpet or wood during charging process.
- In case of emergency, please stop charging the battery immediately.

Charge VAQUITA Battery following the below steps:

- 1) Power off the battery, disconnect the battery power cable with the motor. Remove the battery off the SUP board/kayak and take it to a dry and safe place.
- 2) Plug the output cable of VAQUITA Charger into the charge/discharge port of VAQUITA Battery and tighten the connector. Then plug the input cable of VAQUITA Charger into the socket. Please refer to *4.1.1 Battery LEDs* for LED charging status.

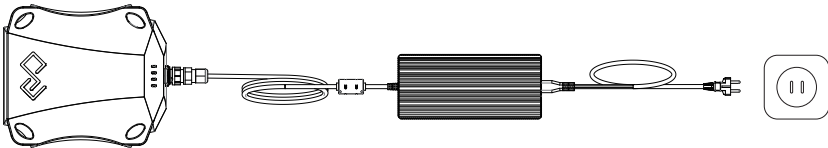




Figure 4-3

Indicator	Normal Status	Description
Charger indicator	Solid red light	The charger works well.
	Solid green light	The charger works well but has not been plugged into the power socket, or the battery has been fully charged.

 It is recommended to fully charge the battery before each use as self-discharge may occur in the process of transportation and storage.

 It takes about 3 hours to fully charge a depleted battery. If fully charged, the LEDs will light off in half an hour.

4.2 Use of VAQUITA Remote Control

4.2.1 Switching On/Off the Remote Control

- ⚠** Before switching on the remote control, please check to
- **make sure the throttle is at zero position.**
 - make sure the motor is securely attached to the SUP board or kayak.

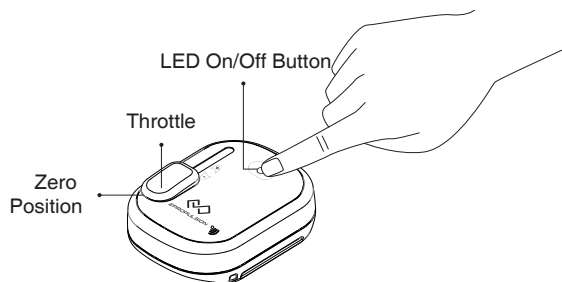


Figure 4-4

Switch On/Off	Operation	LED	Buzzer
Switch on	Short press on/off button	On	One beep
Switch off	Press on/off button for 3s	Off	One beep

⚠ While switching on the remote control, if it beeps every 1s for 5 successive times, it is warning the remote control is running out of power. After the low battery warning, the remote control will resume normal and can last only for a short period of time. Please prepare a new button cell (model: CR2032) and replace the battery as soon as possible. Please refer to *section 4.2.3* to learn how to replace the button cell.

💡 If it is not at the pairing mode, but the LED is flashing quickly, it is warning that there is a communication failure, and the remote control will turn off in 5 minutes automatically.

💡 If the throttle is not at zero position before switching on the remote control, after switched on, the LED will flash slowly to indicate dislocation of throttle. Return the throttle to zero position, and the LED will resume normal.

💡 If the remote control is switched on but without any operation for 30 minutes, it will switch off automatically.

⚠ Press the on/off button on the VAQUITA remote control to stop the motor immediately in emergency situations.

⚠ Never get close to the running propeller to avoid injury.

4.2.2 Controlling the Motor

⚠ If the throttle is not at zero position when switching on the remote control, the LED will flash slowly. Please return the throttle to zero position first then starting the motor, otherwise you will fail to start the motor.

Operations	Description	LED
Speed control	Slide the throttle forward to speed up and, slide the throttle backward to slow down. (Figure 4-5)	On
Stop	a. Normal condition: Slide the throttle back to zero position, and the motor will stop slowly.	On
	b. In emergency: Short press the remote's on/off button, and the motor will stop immediately (throttle not at zero position).	Flash

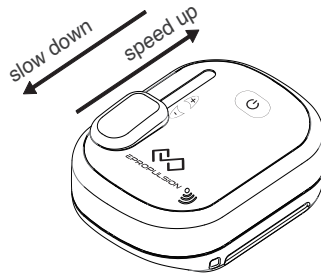


Figure 4-5

💡 Restart after stop:

- In normal conditions, just slide the throttle forward to speed up.
- For emergency stop, first reset the throttle to zero position then restart.

- 💡 If the remote control falls overboard by accident, the system will stop immediately to protect you.
- 💡 If there is not any operation for 30 minutes after the motor is stopped, the remote will switch off automatically.

4.2.3 Replacing Battery for Remote Control

VAQUITA Remote Control is powered by an in-built battery (model: CR2032). If the remote beeps every 1s for 5 successive times when normally switching on the remote control, it indicates the remote control is running out of power, and it is necessary to replace a new button cell of the same type.

Replace a new button cell by below steps:

Step1: Screw the battery cover counterclockwise (from ① to ②) to unlock.

Step2: Open the battery cover and replace a new button cell with the "+" side up.

Step3: Screw the cell cover clockwise to lock.

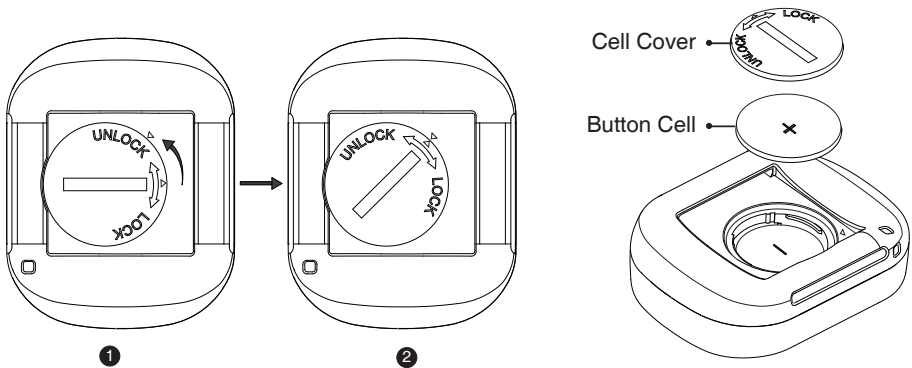


Figure 4-6

4.3 Pairing Remote Control with Battery

VAQUITA Remote Control and VAQUITA Battery in each package are well paired prior to delivery, but if: ① the remote is a new one, or ② the battery is a new one, communication will fail and users need to build wireless communication between the remote control and the battery.



Follow below instructions to pair. We strongly recommend you to read and understand all process before implementing pairing operation.

Preparation

Turn off the remote control and turn on the battery.

Entering Pairing Mode

Step 1 Put the Battery into Pairing Mode

- ① Press the battery power button.

All battery LEDs simultaneously enter slow flash mode. This mode lasts only a few seconds, during which execute ②, otherwise you have to repeat ①.

- ② Press the battery power button again and hold for about 5s until all LEDs flash quickly (which indicates the battery has entered pairing mode successfully). Then release the button.



The battery's pairing mode only continues for a limited period of time, so execute step 2 during this period, otherwise pairing fails.

Step 2 Put the Remote Control into Pairing Mode

- ① Hold the remote control close to the battery.
- ② Press and hold the remote's on/off button for 10s until it issues two beeps (to indicate the remote control has entered pairing mode). Release the button and you'll hear another beep to indicate pairing succeeds.



Do not release the button within 10s, otherwise pairing fails.

5. Detaching VAQUITA Motor

After using VAQUITA, please detach VAQUITA Motor from the SUP board/kayak in correct procedures.

⚠ Notes before detaching VAQUITA Motor.

First, take the VAQUITA Battery out of your SUP board/kayak, etc. by below procedures:

- 1) Long press the power button to switch off the VAQUITA Battery.
- 2) Disconnect the VAQUITA Motor with the VAQUITA Battery.
- 3) Take out the battery and place it in a dry and safe place.

Then, place your SUP board/kayak, etc. bottom up in a flat surface.

a. Detaching from US fin box adapter

Step1: Loosen and take out the screw.

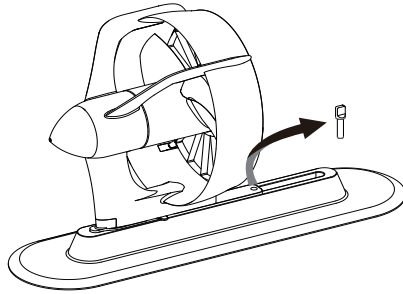


Figure 5-1

Step2: Take VAQUITA Motor and adapter out of the fin box.

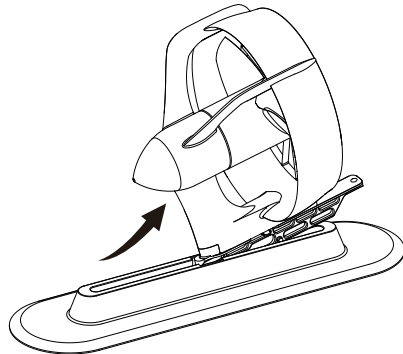


Figure 5-2

Step3: Pull the release buckles in direction ① about 2mm and slide the adapter in direction ② .

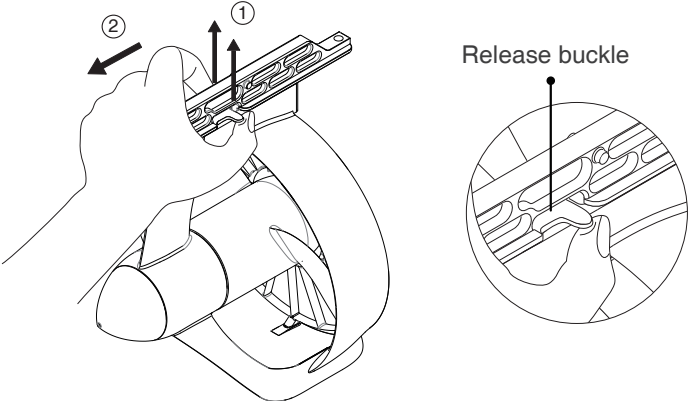


Figure 5-3

Step4: When the rear part of the adapter is slid to the position as shown in below left figure, remove the adapter.

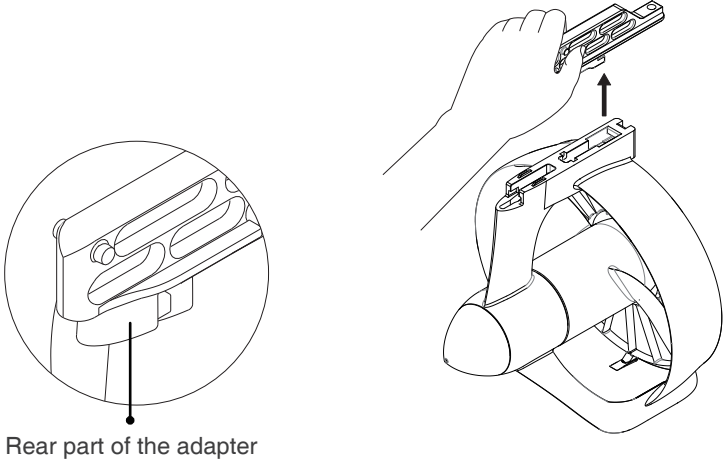



Figure 5-4

 Clean the motor and adapter with fresh water after the motor is detached.

b. Detaching from inflatable SUP fin box adapter

Step1: Draw out the retaining clip from the inflatable SUP fin box.

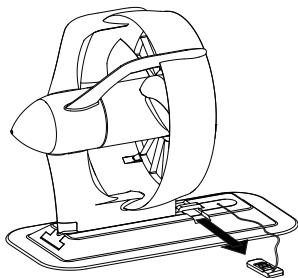


Figure 5-5

Step2: Slide VAQUITA Motor and adapter out of the fin box.

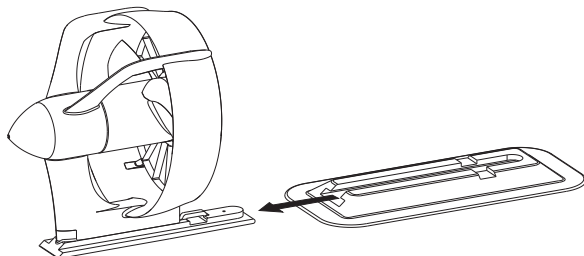


Figure 5-6

Step3: Hold the motor, then obliquely pull the release buckle about 2mm and slide the adapter backward in the direction of arrow ② .

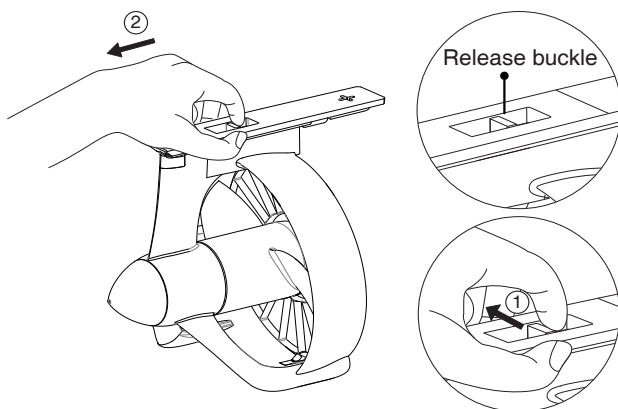


Figure 5-7

Step4: When the rear part of the adapter is slid to the position as shown in below left figure, remove the adapter.

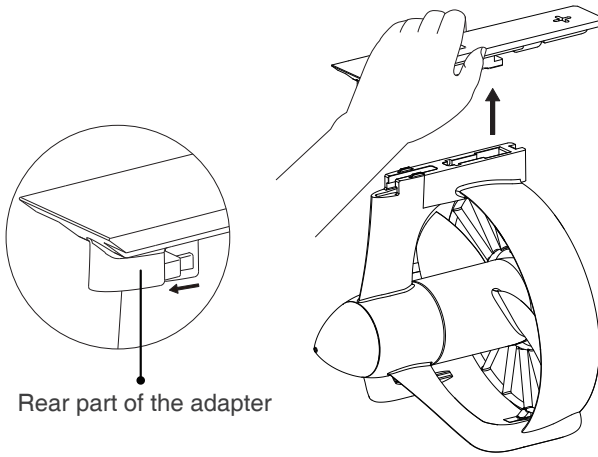


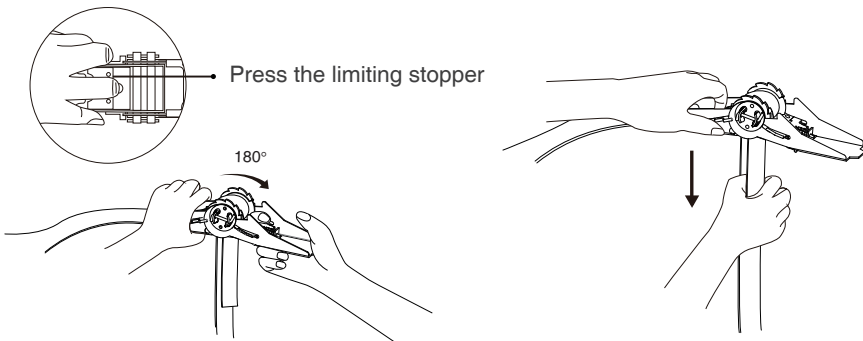
Figure 5-8



Clean the motor and adapter with fresh water after getting them detached.

c. Detaching from universal adapter

Step1: Loosen the ratchet strap buckles (Figure 5-9).



First, press the limiting stopper and unfold the strap buckle by 180°.

Second, pull the longer side of the strap.

Figure 5-9

Step2: Detach VAQUITA universal adapter and VAQUITA Motor from the SUP board/kayak (Figure 5-10).

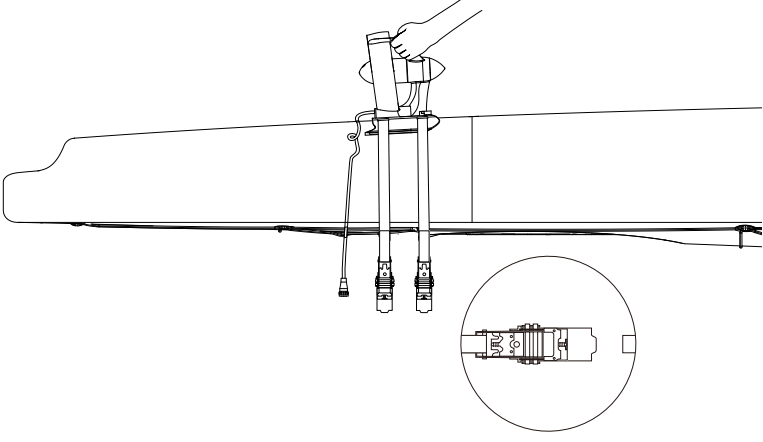



Figure 5-10

 Hold VAQUITA Motor while loosening the ratchet strap.

Step3: Hold the motor, then obliquely pull the release buckle about 2mm and slide the universal adapter in the direction of arrow ② .

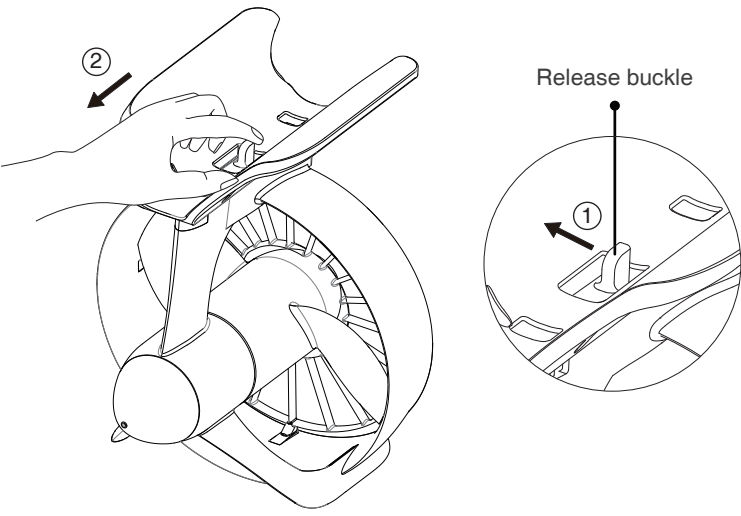


Figure 5-11

Step4: When the rear part of the universal adapter is slid to the position as shown in below left figure, take out the adapter.

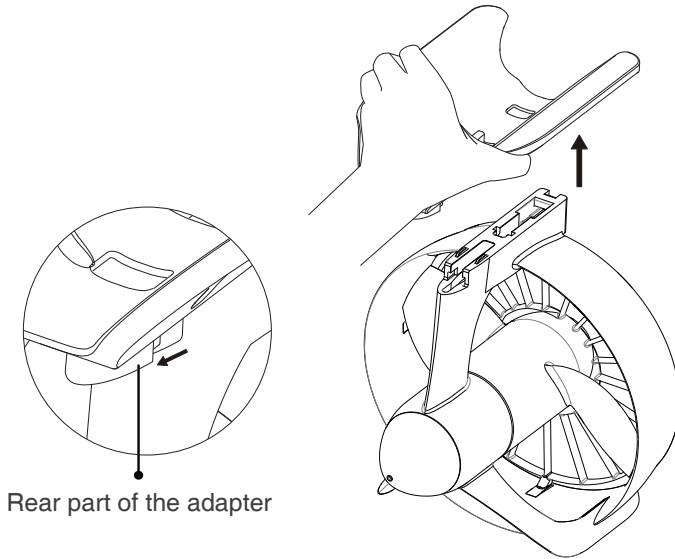


Figure 5-12

- 💡 If you are not going to use the universal adapter very soon, it's advised to detach the ratchet straps from the adapter.
- 💡 Clean the motor and adapter with fresh water after getting them detached.

6. Transport and Storage

6.1 Transport

For long-distance transport, please apply the original package of VAQUITA to pack the product prior to delivery.

 Important notes before transport:

- Check and ensure the package is intact without any damage.
- Avoid violent vibration, strike or squeeze during transport. Get adequate damping protection measures before transport.
- Do not expose VAQUITA Battery to the sun or rain during transport.
- Check applicable laws and regulations before transport.

6.2 Storage

If you are not going to use VAQUITA for a long time, it is advised to clean and check it prior to storage. It is recommended to pack VAQUITA with its original package for storage.

 Important notes before storage:

- Make sure that each part of the product is dry before storing it in the package.
- Get adequate damping protection before storage.
- Store VAQUITA Battery in a clean, dry and well-ventilated area without direct sun exposure.
- Avoid contact with corrosive substance which may cause permanent damage, weaken or destroy the plastic of VAQUITA.
- Keep VAQUITA Battery away from any sources of fire, sparks, open flame or heat.
- Fully charge VAQUITA Battery before use after long-time storage.

7. Routine Maintenance

Various factors like operation environment (such as temperature, humidity, dust, etc.), aging and wear of internal components, will affect the performance of the product. Routine maintenance is very important for keeping VAQUITA in its optimal operating state.

- It's suggested to take VAQUITA Motor out of the water after use.
- Check the cable regularly for damage.
- Charge VAQUITA Battery after each use.
- Do not run VAQUITA Motor in the air or in shallow water.
- Do not run VAQUITA Motor in water area with thick sediment.
- Clean the exterior of VAQUITA Motor with fresh water after each use.
- Clean the debris in the cave of the adapters after each use.
- Do not drop VAQUITA Battery and avoid it from direct sun/rain exposure for a long time.
- Check the battery level on a regular basis.
- Stop discharging VAQUITA Battery and charge it soon if the battery gets low.
- Before the first time use or reuse after long-term storage, charge VAQUITA Battery to its full capacity in order to achieve its best performance.
- Only use VAQUITA Charger designed for VAQUITA Battery. Other chargers may lead to shortened runtime, premature battery failure, or even fire or explosion.
- Use the battery in moderate temperature to avoid negative effects of extreme temperature posed on battery lifespan and useful cycles.
- Once a fault occurs, deal with the problem in time to avoid any further damage. If necessary, consult the ePropulsion authorized dealer for repair or parts replacement.
- Always follow the instructions in this user manual.





8. Warranty

The ePropulsion limited warranty is provided for the first end purchaser of an ePropulsion product. Consumers are entitled to a free repair or replacement of defective parts or parts which do not conform with the sales contract. This warranty operates in addition to your statutory rights under your local consumer law.


8.1 Warranty Policies

ePropulsion keeps its products free of defects in material and workmanship for a limited period since the date of purchase. Once a fault is discovered, the user has the right to make a warranty claim under the warranty policies of ePropulsion.

Product	Warranty Expiry Date
VAQUITA	One year after the date of purchase
Repaired/Replaced Parts	<p>Three months since the date of maintenance.</p> <p>Notes:</p> <ol style="list-style-type: none"> 1. If the three-month period overlaps with the original product warranty period, the warranty against these replaced or repaired parts still expire one year after the date of purchase. 2. If the three-month period exceeds the original product warranty period, the repaired or replaced parts continue applying to warranty during the extended period.

-  In order to validate the warranty, users are required to fill in the Warranty Card in advance.
-  Keep the product label in an intact state and record the serial number on the label. Never tear the label off the product. An ePropulsion product without the original product label will not be applicable to warranty services provided by ePropulsion.
-  The warranty is valid only when the information on the Warranty Card is filled in correctly and completely.
-  Free warranty is only validated upon the presentation of legal serial

number, Warranty Card, and evidence of purchase from an authorized ePropulsion dealer.

 Valid date of purchase should be established by the first-hand purchaser with original sales slip.


 Free warranty is not transferable and will not be reissued.


8.2 Out of Warranty

Make sure the product is properly packed during delivery, the original product package is recommended. If the product got further damaged due to improper packing during delivery, the furtherly damaged part will be deemed as out of warranty coverage.

In addition, faults or damages caused by the following reasons are also excluded from warranty scope within the covered period:

- Any improper operation contradicts the user manual.
- Accident, misuse, intentional abuse, physical damage overcharging or unauthorized repair.
- Dropping, improper care or storage.

 You should be noted that minor faults like normal wear and tear that pose no influence on the intended function of the product are also not covered by the warranty.

 Consumables are out of warranty scope.


8.3 Warranty Claim Procedures

If you find your product defective, you can make a claim to your dealer following below procedures:

1. Fill in the Warranty Card correctly and completely in advance.

Then make your warranty claim by sending it to your authorized ePropulsion service partner together with valid proof of purchase. Usually these documents are required when making a warranty claim: the Warranty Card, ex-factory serial number, and evidence of purchase.

2. Send the defective product to your authorized ePropulsion service point after getting the confirmation. Note that the label should be kept intact. You can also deliver the product to your authorized ePropulsion dealer after getting confirmation.

3. The defective components or parts will be either repaired or replaced according to the diagnosis made by the ePropulsion authorized service partner.
 4. If your warranty claim is accepted, the equipment will be repaired or replaced free of charge.
 5. After careful examination and confirmation by ePropulsion authorized dealer, the defective or faulty components will be repaired or replaced based on actual condition.
 6. In case your warranty claim be rejected (please refer to out of warranty policies), an estimated repair charge with delivery cost included will be sent for confirmation. ePropulsion authorized service point will conduct maintenance accordingly only after your confirmation.
-  If warranty expires, you can still enjoy maintenance services from authorized ePropulsion service partners with corresponding maintenance charge.

Danksagung

Vielen Dank, dass Sie sich für den Kauf eines ePropulsion Produktes entschieden haben, sowie das Vertrauen und die Unterstützung, die Sie uns damit entgegenbringen. Zu unserem Portfolio gehören leistungsstarke Unterwasser-Triebwerke, elektrische Außenborder, zuverlässige Lithiumbatterien sowie diverses Produkt-Zubehör. Besuchen Sie uns auch auf unserer offiziellen Website www.epropulsion.de. Bei Fragen, Anregungen oder Problemen stehen wir Ihnen jederzeit gerne zur Verfügung.

Verwendung dieses Handbuches

Bevor Sie den VAQUITA verwenden, lesen Sie dieses Handbuch bitte sorgfältig durch, um die korrekten und sicheren Bedienungsabläufe zu verstehen. Mit der Verwendung des VAQUITA stimmen Sie zu, dass Sie den Inhalt der Bedienungsanleitung vollständig gelesen und verstanden haben. ePropulsion übernimmt keine Haftung für Schäden oder Verletzungen, die durch Handhabung entstehen, die der Bedienungsanleitung widersprechen. Aufgrund der ständigen Optimierung unserer Produkte, behält sich ePropulsion das Recht vor, den Inhalt der Bedienungsanleitung ständig anzupassen. ePropulsion behält sich außerdem die geistigen Eigentums- und die gewerblichen Schutzrechte vor, darunter Urheberrechte, Patente, Logos und Design.

Dieses Handbuch kann ohne vorherige Ankündigung aktualisiert werden. Die neueste Version finden Sie auf unserer Website www.epropulsion.de. Wenn Sie Abweichungen zwischen Ihren Produkten und diesem Handbuch feststellen oder wenn Sie Zweifel bezüglich des Produktes oder des Handbuches haben, besuchen Sie bitte unsere Website www.epropulsion.de.

ePropulsion behält sich das Recht der endgültigen Auslegung dieser Bedienungsanleitung vor.

Dieses Handbuch ist in mehreren Sprachen verfügbar. Wenn es zu Unstimmigkeiten bei der Interpretation verschiedener Sprachversionen kommt, hat die englische Version Vorrang. Diese finden Sie auf unserer Webseite www.epropulsion.de.

Abbildungen

Bitte beachten Sie beim Lesen dieses Handbuchs die folgenden Abbildungen:



Wichtige Anweisungen oder Warnungen



Nützliche Informationen oder Tipps

Die Seriennummer des Produkts

Die Abbildung 0-1 zeigt die Position der Seriennummer der VAQUITA-Batterie (S/N) an. Auf den Abbildungen 0-2 und 0-3 sehen Sie, wo die Seriennummern der VAQUITA-Fernbedienung und des Motors (S/N) zu finden sind.

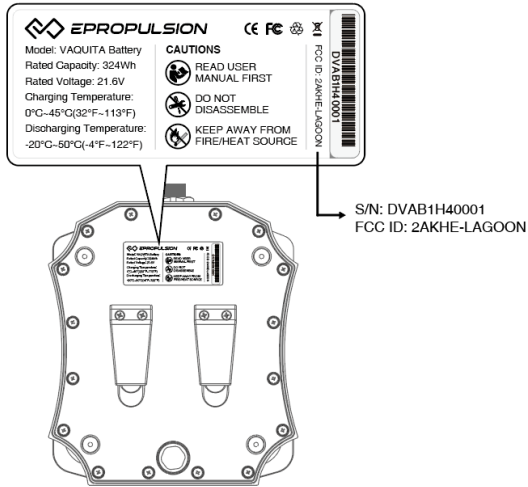


Abb. 0-1

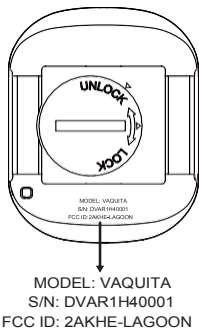


Abb. 0-2

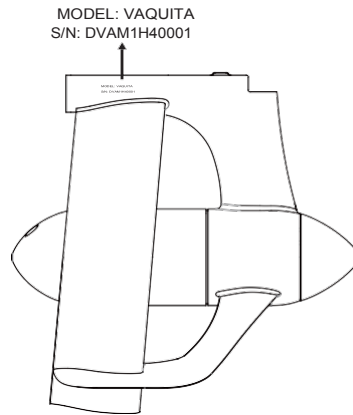


Abb. 0-3



Die drei oben gezeigten Teile haben unterschiedliche Seriennummern. Bitte notieren Sie sich diese Seriennummern für zukünftige Wartungs- oder andere Kundendienstleistungen.

Inhalt

Danksagung.....	42
Verwendung dieses Handbuches.....	42
Abbildungen	42
Die Seriennummer des Produkts	43
Inhalt.....	44
1. Wichtige Sicherheitsanweisungen	46
2. Produktübersicht	48
2.1 Paketinhalt	48
2.2 Komponentenschema.....	50
2.3 Technische Spezifikationen.....	52
2.4 Erklärung	54
3. Installation	55
3.1 Installation des VAQUITA-Motors	55
3.1.1 Installation mit Standardadaptern	55
3.1.2 Installation mit dem VAQUITA Universal Adapter	57
3.2 Befestigung der VAQUITA-Batterie	59
3.3 Verbindung zwischen Batterie und Motor.....	61
3.4 Befestigung der VAQUITA-Fernbedienung.....	61
4. Bedienung.....	63
4.1 Verwendung der Batterie	63
4.1.1 LED-Lampe der Batterie	63
4.1.2 Ein- / Ausschalten der VAQUITA-Batterie	65
4.1.3 Aufladen der Batterie.....	66

4.2 Die Verwendung der VAQUITA-Fernbedienung	67
4.2.1 Ein- / Ausschalten der VAQUITA-Fernbedienung	67
4.2.2 Steuerung des VAQUITA-Motors	68
4.2.3 Ersatz für die Batterie der Fernbedienung	69
4.3 Pairing/Verbinden zwischen Fernbedienung und Batterie	70
5. Abbauen des VAQUITA-Motors	71
6. Transport und Lagerung	77
6.1 Transport	77
6.2 Lagerung	77
7. Wartung	78
8. Garantie	79
8.1 Garantiebestimmungen	79
8.2 Von der Garantie ausgeschlossen	79
8.3 Garantieschritte	80
8.4 Gesetzliche Gewährleistung	80

1. Wichtige Sicherheitsanweisungen

Diese Bedienungsanleitung enthält wichtige Informationen zur Installation und sicheren Nutzung des ePropulsion VAQUITA. Bevor Sie das Produkt verwenden, lesen Sie dieses Handbuch bitte vollständig durch und beachten Sie insbesondere die folgenden Sicherheitshinweise:

Vor der Nutzung

- VAQUITA ist nur für Personen geeignet, die sich in guter körperlicher Verfassung befinden, schwimmen und paddeln können.
- Tragen Sie bei der Nutzung immer eine Schwimmweste und eine Leine.
- Nehmen Sie immer ein Paddel mit auf Ihr SUP-Board oder Kajak.
- Nur Erwachsene, die diese Anleitung vollständig gelesen und verstanden haben, dürfen VAQUITA benutzen.
- Überprüfen Sie vor dem Einsatz den Zustand sowie die Funktionsfähigkeit von VAQUITA und stellen Sie sicher, dass sich alle Komponenten in einem guten Zustand befinden.
- Bevor Sie losfahren, vergewissern Sie sich, dass der VAQUITA Motor sicher an der Unterseite des SUP-Boards / des Kajaks etc. befestigt ist. Stellen Sie sicher, dass die Fernbedienung einwandfrei über eine kabellose Verbindung funktioniert.
- Machen Sie sich mit allen Einzelheiten im Zusammenhang mit diesem Produkt vertraut.
- Informieren Sie sich vor dem Gebrauch über die örtlichen Sicherheitsrichtlinien und Schifffahrtsregeln auf dem jeweiligen Gewässer.
- Checken Sie im Voraus die örtlichen Gegebenheiten und die Wetterlage, um ungünstige Bedingungen wie starke Winde, Wellen, Strömungen, Stromschnellen usw. zu vermeiden.

Während der Nutzung

- Schalten Sie den Motor nicht in seichtem Wasser oder außerhalb des Wassers an. Benutzen Sie den Motor nur in ausreichend tiefem Wasser und vermeiden Sie die Anschaltung des Motors in der Nähe von möglichen Hindernissen.
- Befolgen Sie die korrekten Bedienungsanweisungen dieses Handbuches.
- Befestigen Sie die VAQUITA Fernbedienung an Ihrem Handgelenk oder Paddel, um sie leicht erreichen zu können.
- Lassen Sie den Motor nicht laufen, wenn sich Schwimmer oder andere Wasserfahrzeuge in der Nähe ihres SUPs/Kajaks befinden.
- Drücken Sie in Notfallsituationen sofort die Ein-/Aus-Taste der VAQUITA Fernbedienung.
- Beachten Sie beim Betrieb des Motors die örtlichen Sicherheitsvorschriften und Schifffahrtsordnungen.
- Benutzen Sie den Motor nicht unter dem Einfluss von Alkohol oder Drogen.
- Schalten Sie die VAQUITA Batterie und die VAQUITA Fernbedienung aus, bevor Sie die Batterie vom SUP-Board/Kajak usw. abnehmen.
- Vergewissern Sie sich, dass der Stecker des Netzkabels vor dem Gebrauch fest sitzt. Andernfalls kann das Produkt während des Betriebes schwer beschädigt werden.

Bedienung

- Lassen Sie den Motor niemals außerhalb des Wassers laufen, da dies seine Lebensdauer erheblich verkürzt, laute Geräusche verursacht und möglicherweise Ihre Finger verletzen kann. Sollten Sie den Motor unbeabsichtigt in der Luft starten, stoppt der Motor aus Sicherheitsgründen sofort nach 5 Sekunden und kann dann möglicherweise nicht wieder normal in Betrieb genommen werden. Halten Sie stets Abstand von dem laufenden Propeller.

- Das Produkt darf nicht durch Sie selbst oder unautorisierte dritte Personen zerlegt oder repariert werden.
- Halten Sie es von brennbaren Gasen, ätzenden und anderen gefährlichen Stoffen fern.
- Bewahren Sie VAQUITA an einem trockenen und gut belüfteten Ort ohne direkte Sonnenstrahlung und Regeneinwirkung sowie fernab von gefährlichen Substanzen auf.
- Beachten Sie die Sicherheitshinweise zu der Batterie und betreiben Sie sie in der korrekten Weise, um Kurzschlüsse, Überhitzung, Überladung und Überentladung zu vermeiden. Lassen Sie den Akku niemals fallen.
- Benutzen Sie nur das VAQUITA-Ladegerät zur Aufladung der Batterie. Andere Ladegeräte können zu einer verkürzten Laufzeit, zu vorzeitigem Batterieausfall oder sogar zu einem Brand oder einer Explosion führen.
- Reinigen Sie den VAQUITA Motor nach jedem Gebrauch mit frischem Wasser.

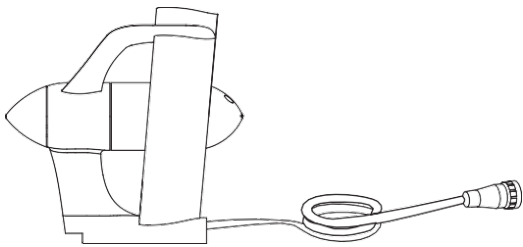
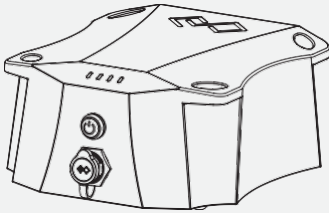
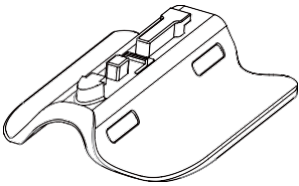
2. Produktübersicht

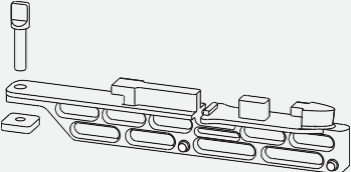
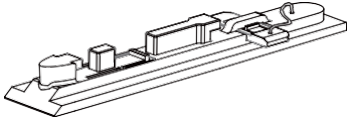


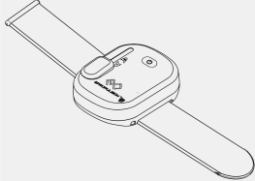

VAQUITA ist ein elektrisches Antriebssystem für SUP Boards/Kajaks.


VAQUITA ist mit fast allen SUP-Boards, Kajaks, Kanus usw. kompatibel. Das Produkt besteht hauptsächlich aus dem VAQUITA Motor, der VAQUITA Batterie und der VAQUITA Fernbedienung. Dieses kleine aber leistungsstarke Antriebssystem kann über eine Stunde auf voller Geschwindigkeit laufen und unterstützt Sie perfekt, egal ob Sie eine Pause benötigen oder weiterfahren möchten.


2.1 Paketinhalt


Packen Sie das Paket aus und prüfen Sie, ob beim Transport Schäden entstanden sind. Überprüfen Sie alle Teile des Paketes anhand der nachstehenden Liste. Sollte das Produkt durch den Transport beschädigt worden sein oder einer der aufgeführten Gegenstände fehlen, wenden Sie sich bitte umgehend an Ihren Händler.

Nr.	Bezeichnung	Menge	Abbildung
1	VAQUITA-Motor	1 Stück	
2	VAQUITA-Batterie	1 Stück	
3	VAQUITA-Universal Adapter	1 Stück	

4	US Fin Box Adapter (Standard)	1 Satz	
5	Aufblasbarer SUP Finnen Adapter (Standard)	1 Satz	
6	Ratschenband	2 Streifen	
7	VAQUITA-Ladegerät	1 Stück	
8	VAQUITA-Fernbedienung (inklusive Armband)	1 Stück	
9	Benutzerhandbuch, Anleitung Schnellstart, Garantiekarte, Qualitätszertifikat Verlängerungsband für die Fernbedienung	1 Satz	

 Befestigen Sie den VAQUITA Motor mit einem Standardadapter, der mit der Finnenhalterung des SUPs kompatibel ist, oder verwenden Sie den VAQUITA Universaladapter für SUPs, die verschiedene Finnenhalterungen oder kein Finnenmontagesystem haben.

 Anderes Zubehör, das in diesem Handbuch erwähnt wird, ist nicht im Lieferumfang dieses Paketes enthalten. Sollten Sie weiteres Zubehör benötigen, bestellen Sie dieses bitte separat.

 Bewahren Sie bitte die Originalverpackung für den Transport und die Lagerung auf.

2.2 Komponentenschema

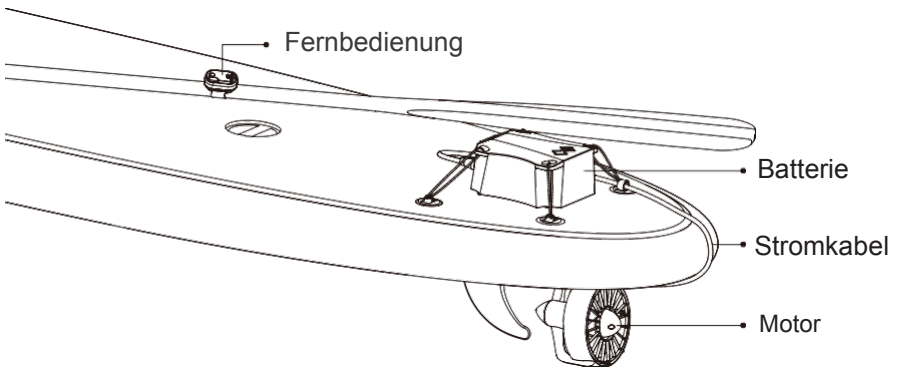


Abb. 2-1 VAQUITA

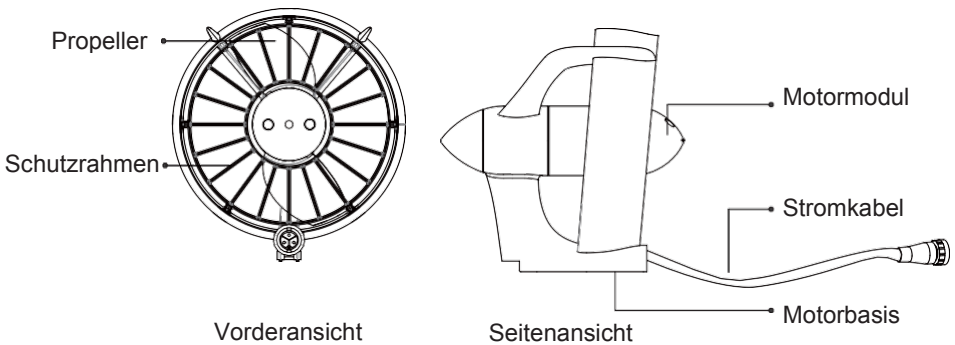


Abb. 2-2 VAQUITA-Motor

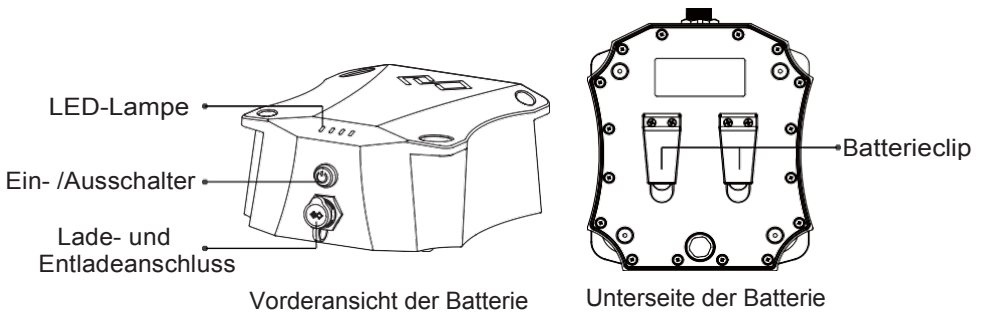


Abb. 2-3 VAQUITA-Batterie

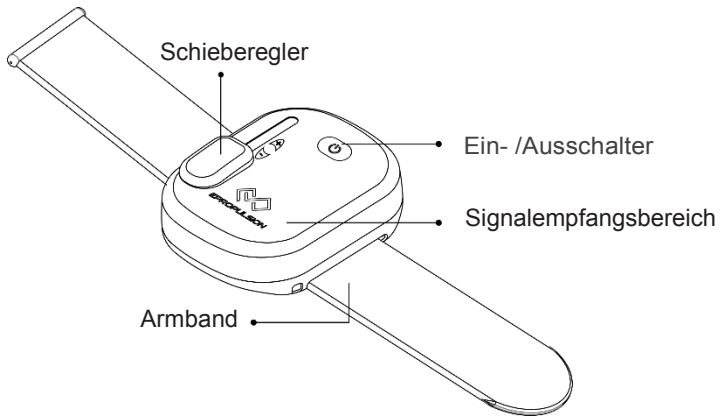
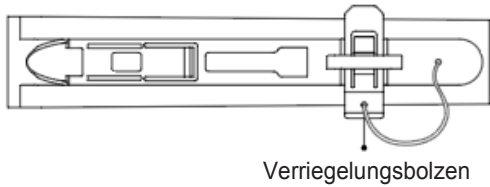
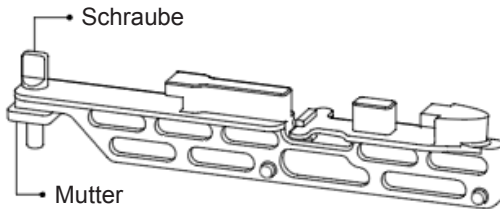


Abb. 2-4 VAQUITA-Fernbedienung

Aufblasbarer SUP
Finnen Adapter



US Fin Box Adapter



VAQUITA
Universal Adapter

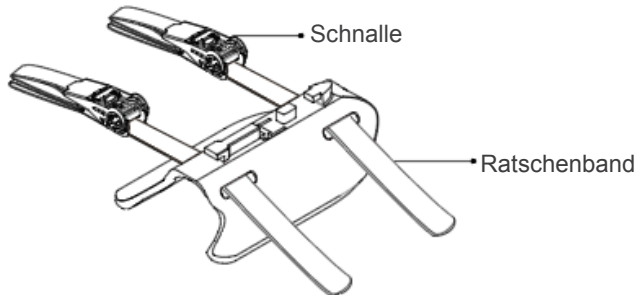


Abb. 2-5 Adapter

2.3 Technische Spezifikationen

Produktdaten	
Eingangsleistung	300 W
Statischer Schub	23 lbs.
Gesamtgewicht	5 kg / 11 lbs.
VAQUITA-Motorgewicht	1.5 kg / 3.3 lbs.
Größe	182 mm x 168 mm x 182 mm / 7.2"x 6.6"x 7.2"
Propellerdurchmesser	150 mm / 5.9"
Propellerabstand	115 mm / 4.5"
Propeller Höchstgeschwindigkeit	1800 rpm

VAQUITA-Batterie	
Batterietyp	Lithium-Ionen-Akkumulator
Nennleistung	324 Wh
Nennspannung	21.6 V
Endladespannung	25.2 V
Begrenzte Ladespannung	18 V
Gewicht	2.5 kg
Lebensdauer	≥ 500 Kreislauf (80% der Nennkapazität)
Ladezeit	3 hrs.
Temperaturbereich	Aufladung: 0°C ~ 45°C / 32°F ~ 113°F Entladung: -20°C ~ 50°C / -4°F ~ 122°F
Größe	216 mm x 178 mm x 100mm / 8.5"x 7"x 4"

VAQUITA-Fernbedienung	
Kontrollmethode	Wireless
Schieberegler	Achtstufiger Schieberegler
Vorwärts- / Rückwärtssteuerung	Vorwärtssteuerung
Stromversorgung	Eine eingebaute Knopf-Batterie (CR2032)

VAQUITA-Ladegerät	
Eingangsleistung	180 W
Eingangsspannung (AC)	100 V ~ 240 V
Eingangsfrequenz	50 Hz / 60 Hz
Eingangsstrom	≤ 3A
Ausgangsspannung (DC)	25.2 V / 7 A
Temperaturbereich	Bedienung: -29°C ~ 45.5°C / -20.2°F ~ 113.9°F Lagerung: -40°C ~ 75°C / -40°F ~ 167°F
Effizienz	≥ 87%



Die Batterieleistung hängt von vielen externen Faktoren ab, wie z. B. der Betriebsumgebung und der Beschaffenheit des SUPs/des Kajaks usw.

2.4 Erklärung

Erklärungsgegenstand:

Produkt: Kajak-/SUP-Motor

Modell: VAQUITA, VAQUITA S

Firmenname: Dongguan ePropulsion Intelligence Technology Ltd.

Firmenadresse: Raum 202, Bereich B, 2. Etage, Gebäude 1, 17 Xinzhuoyuan,
Nr. 4, Xinzhu Straße, High-Tech-Industrieentwicklungszone,
Dongguan, Guangdong, China

Erklärt, dass VAQUITA-Propeller (VAQUITA) den folgenden Richtlinien entspricht:

EMC-directive 2014/30/EU

(Richtlinie über elektromagnetische Verträglichkeit)

MD-directive (Mechanisch) 2006/42/EC

RED Directive (Radioausrüstung) 2014/53/EU

FCC Part 15 (US Federal Communications Commission Teil 15): Dieses Gerät darf keine schädlichen Interferenzen verursachen und muss den empfangenen Interferenzen standhalten können.

Anwendbare Standards:

EN 55014-1:2006+A1:2006+A2:2011

EN 55014-2:2015

EN 61000-3-2:2014

EN 61000-3-3:2013

EN 60204-1: 2016

EN ISO 12100: 2010

EN 301 489-3: V2.2.0

EN 301 489-1: V2.2.1

FCC Part 15 (US Federal Communications Commission Teil 15): Dieses Gerät darf keine schädlichen Interferenzen verursachen und muss den empfangenen Interferenzen standhalten können.

Das Originalzertifikat wurde von Guangdong Shenzhen An-Teng Testing Service Co., Ltd. ausgestellt.

CE Zertifikatsnummer: ATT11803260080E, ATT11803260080M,
ATT11803260080D

Datum der Ausgabe: 27.03.2018

FCC Zertifikatsnummer: GTS201803000218F02

Datum der Ausgabe: 26.03.2018

Unterschrift 

Herr Tao Shizheng ist der CEO und Mitbegründer von
Dongguan Epropulsion Intelligence Technology Ltd.

3. Installation

VAQUITA wird mit zwei Adaptern geliefert, die in die zwei großen Standard-Finnenhalterungen passen, welche für die meisten SUP-Boards genutzt werden. Außerdem ist noch ein Universaladapter für Kajaks und andere kleine Wasserfahrzeuge ohne Standard-Finnenhalterung enthalten.

3.1 Installation des VAQUITA-Motors

Überprüfen Sie vor der Installation des VAQUITA-Motors, ob das SUP-Board/das Kajak stark genug ist, um den VAQUITA-Motor und die VAQUITA-Batterie zu tragen.

3.1.1 Installation mit Standardadaptern

Das Paket enthält zwei Standardadapter: den US-Fin-Box-Adapter und den aufblasbaren SUP-Finnen Adapter. Diese beiden Standardadapter haben kompatible Finnenhalterungen. Wählen Sie eine aus und folgen Sie den nachstehenden Schritten, um den VAQUITA-Motor mit der Standard-Finnenhalterung zu verbinden.

a. Installation mit dem US-Fin-Box-Adapter

1) Befestigen Sie den US-Fin-Box-Adapter am Motorfuß (Abbildung 3-1). Richten Sie den Adapter zuerst entsprechend des Motorfußes aus; Stecken Sie den Adapter danach in den Motorfuß, bis er gut befestigt ist.

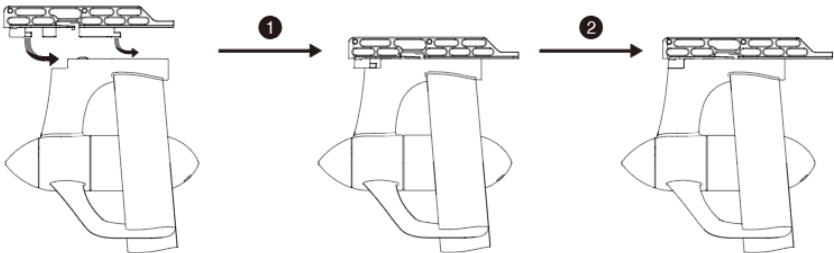
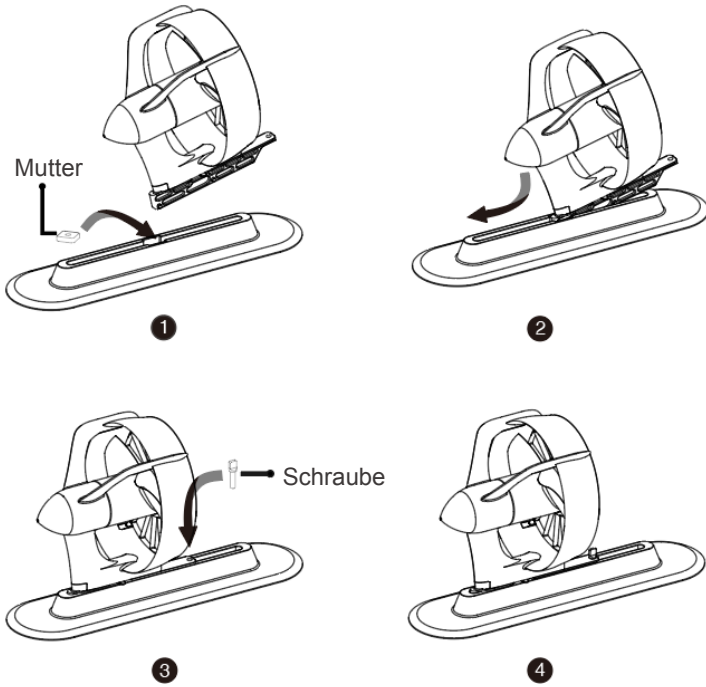


Abb. 3-1

2) Drehen Sie das SUP-Board/das Kajak mit der Unterseite nach oben, um den US-Fin-Box-Adapter anzubringen.

1. Setzen Sie die Spannmutter in die Finnenhalterung und schieben Sie die Mutter in Richtung des Hecks des SUP-Boards/des Kajaks etc.
2. Setzen Sie den Adapter in Pfeilrichtung in die Finnenhalterung und schieben Sie ihn so lange, bis er vollständig drin ist;
3. Verschieben Sie die Mutter im Schlitz, sodass sie sich entsprechend des Adapters ausrichtet. Führen Sie die Schraube durch das Loch und in die hintere Mutter ein und ziehen Sie sie fest.
4. Der VAQUITA-Motor ist nun ordnungsgemäß am US-Fin-Box-Adapter befestigt.



💡 Der Propeller sollte zum Heck des SUP/Kajaks zeigen

b. Installation mit dem aufblasbaren SUP-Finnen-Adapter

1) Befestigen Sie den aufblasbaren SUP-Finnen-Adapter am Motorfuß. (Abbildung 3-3)
 3) Richten Sie den Adapter zuerst entsprechend des Motorfußes aus; Stecken Sie den Adapter danach in den Motorfuß, bis er gut befestigt ist.

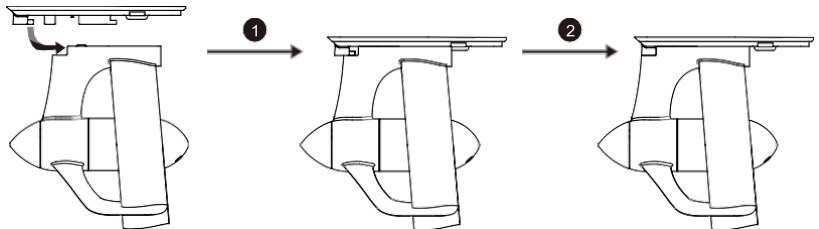


Abb. 3-3

2) Drehen Sie das SUP-Board / Kajak mit der Unterseite nach oben, um die aufblasbare SUP-Finnenbox anzubringen.

Schritt 1: Schieben Sie den Standardadapter vollständig in die Finnenbox.

Schritt 2: Setzen Sie die Halteklammer ein, um den Adapter zu verriegeln (Abbildung 3-4).

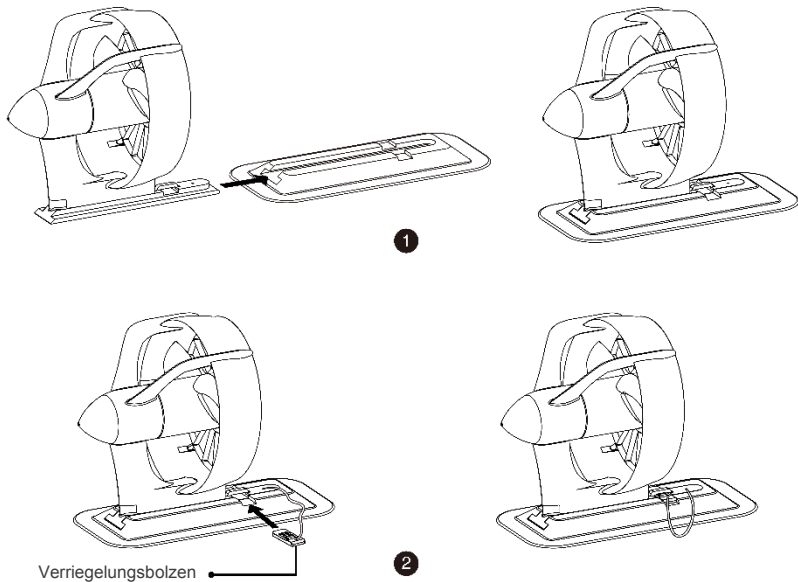


Abb. 3-4

! Schieben Sie den Adapter nicht mit Gewalt in die Finnenbox. Wenn der Adapter nicht richtig in die Finnenbox passt, ziehen Sie ihn heraus und prüfen Sie, ob die Einbaurichtung korrekt ist.

💡 Der Propeller sollte zum Heck des SUP-Boards / Kajaks usw. zeigen.

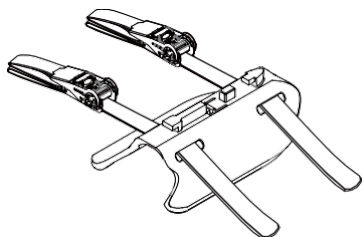
💡 Stellen Sie sicher, dass die Finnenbox sauber ist, bevor Sie den Motor installieren.

3.1.2 Installation des Motors mit dem VAQUITA Universal Adapter

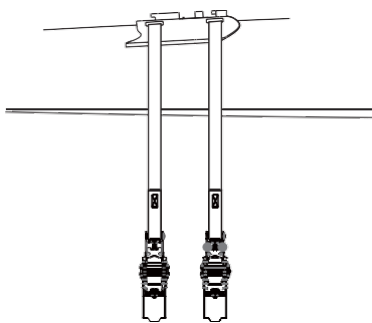
Wenn das SUP / das Kajak usw. keine Finnenbox hat oder die beiden Standardadapter nicht in das vorhandene Finnenbefestigungssystem passen, wird empfohlen, den VAQUITA Universal Adapter zu verwenden, um den VAQUITA Motor anzuschließen.

1) Drehen Sie das SUP/ Kajak etc. mit der Unterseite nach oben.

2) Führen Sie die beiden Ratschenbänder durch die seitliche Öffnung des Universaladapters und befestigen Sie den Universaladapter auf dem relativ flachen Teil an der Unterseite.



1

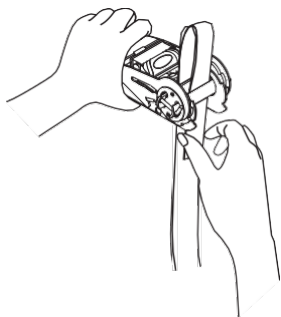


2

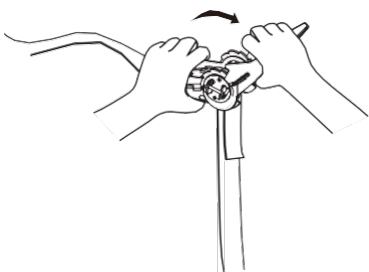
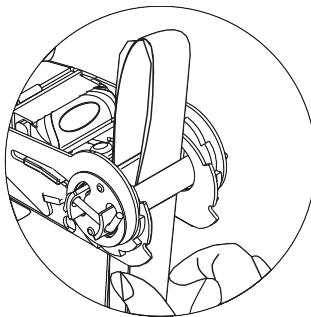
Abb. 3-5

3) Stecken Sie das Ratschenband in die Schnalle und ziehen Sie das Band fest.

4) Wiederholen Sie den Vorgang, die Schnalle zu öffnen und zu schließen, bis das Band festgezogen ist. Schließen Sie die Schnalle, nachdem das Band festgezogen ist.



3



4



Abb. 3-6

5) Installieren Sie den VAQUITA-Motor in Pfeilrichtung auf dem Universal Adapter.

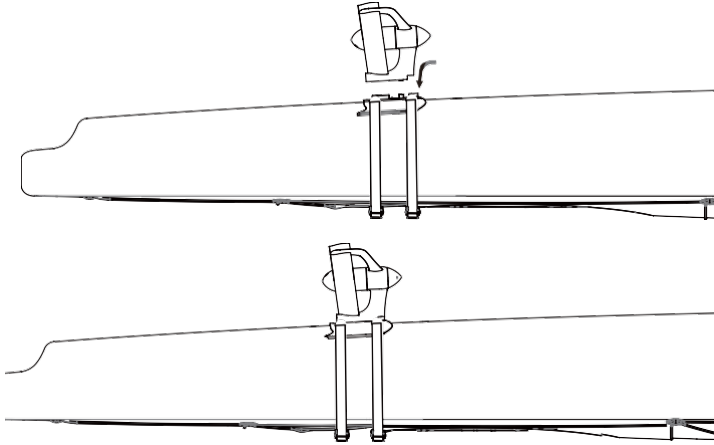


Abb. 3-7



Der Propeller sollte zum Heck des SUP-Boards/des Kajaks usw. zeigen.



Stellen Sie beim Installieren des Universal Adapters sicher, dass der Adapter auf der unteren Achse des SUP Kajaks usw. ausgerichtet ist.

3.2 Befestigung der VAQUITA-Batterie

a. Befestigung der VAQUITA-Batterie auf einem SUP-Board

Es gibt hauptsächlich zwei Möglichkeiten, die VAQUITA-Batterie auf einem SUP-Board zu befestigen. Bei einem SUP-Board mit Bungee-System kann die Batterie mit Bungee-Kabeln befestigt werden.:

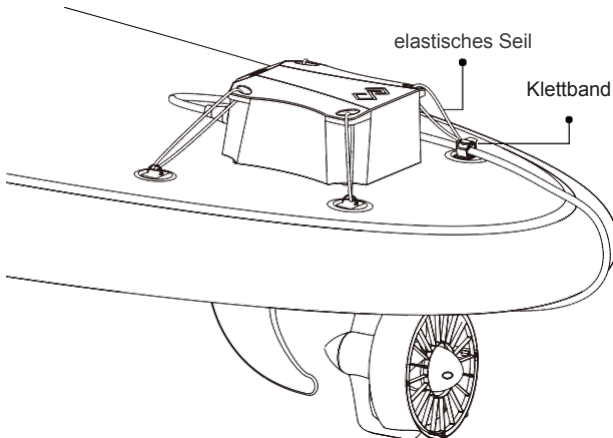


Abb. 3-8

Bei SUP-Boards ohne Bungee-System können Benutzer die Schnallen an der Unterseite der VAQUITA-Batterie verwenden, um einen um das SUP-Board gebundenen Ratschengurt zu befestigen.

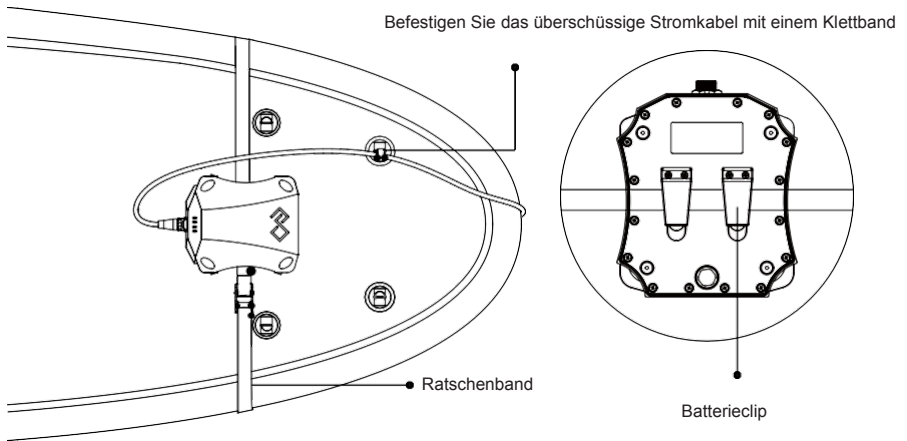



Abb. 3-9

 Befestigen Sie das überschüssige Stromkabel mit einem Klettband.

b. Befestigung der VAQUITA-Batterie am Kajak

Bei Kajaks mit genügend Stauraum kann die Batterie einfach in das Kajak eingelegt werden. Bei einigen Kajaks kann die Batterie auch mit den Bungee-Seilen am hinteren Teil des Kajaks befestigt werden (siehe Abbildung unten).

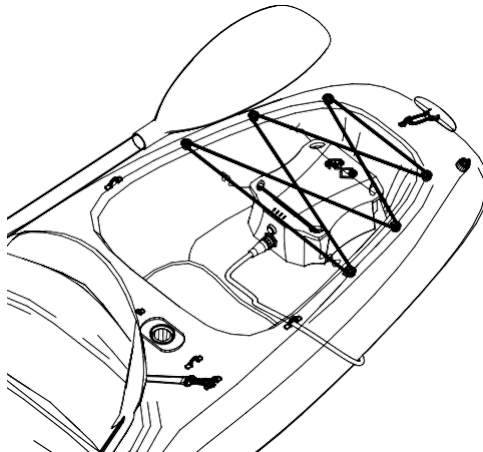


Abb. 3-10

3.3 Verbindung zwischen Batterie und Motor

Drehen Sie das SUP-Board / das Kajak etc. um, nachdem der Motor fest installiert ist. Stecken Sie den Motorkabelverbinder in den Lade- / Entladeanschluss der VAQUITA Batterie und befestigen Sie den Stecker. Befestigen Sie das Stromkabel mit einem Klettband.

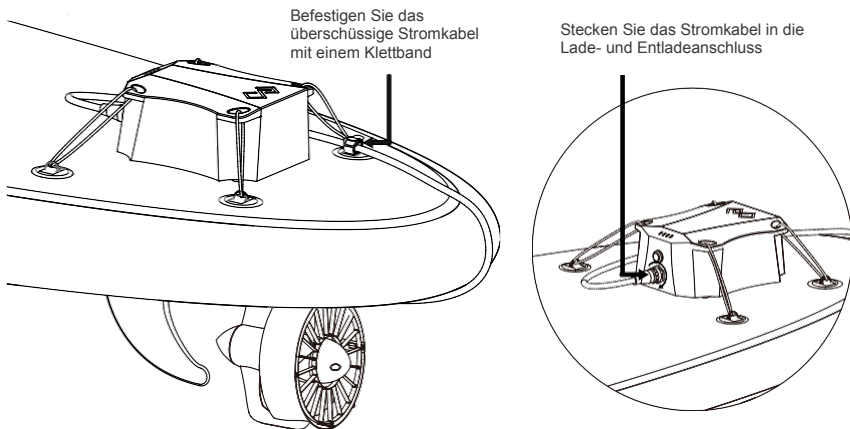


Abb. 3-11

💡 Achten Sie darauf, dass das Triebwerk nicht auf den Boden schlägt oder gegen andere Gegenstände kommt, während Sie das SUP-Board / Kajak usw. drehen.

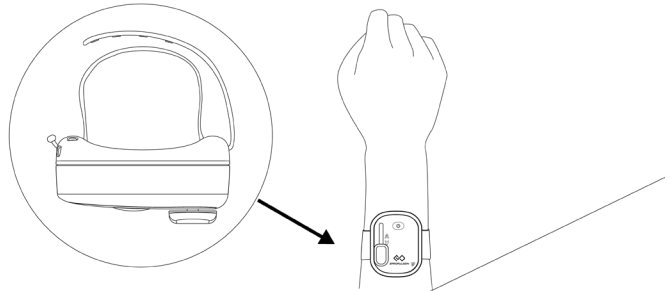
⚠️ Vergewissern Sie sich, dass die VAQUITA-Batterie ausgeschaltet ist und die Anschlüsse trocken sind, bevor Sie den Motor installieren.

3.4 Befestigung der VAQUITA-Fernbedienung

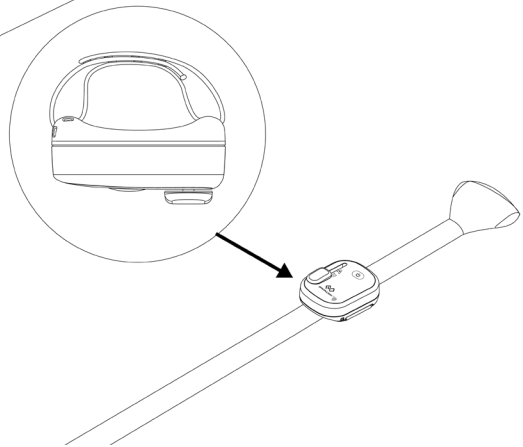
- Die VAQUITA Fernbedienung kann an einem Paddel- oder am Handgelenk für einen einfachen Zugriff befestigt werden. Sie müssen das Band durch die seitliche Öffnung der VAQUITA-Fernbedienung durchfädeln und den Gurt fest um das Handgelenk oder das Paddel binden, wie in Abbildung 3-12 gezeigt.

💡 Stellen Sie sicher, dass das Band fest verbunden ist, wenn Sie es tragen, oder befestigen Sie es an einem Paddel, um zu vermeiden, dass es ins Wasser fällt.

💡 Wenn die VAQUITA Fernbedienung versehentlich ins Wasser fällt, kann es zu einem Ausfall der kabellosen Kommunikation kommen so dass der Motor stoppt.



Methode 1:
Tragen Sie die VAQUITA-
Fernbedienung am
Handgelenk



Methode 2:
Befestigen Sie die VAQUITA-
Fernbedienung an einem
Paddel

Abb. 3-12

4. Bedienung

Um VAQUITA bedienen zu können, ist es wichtig zu wissen, wie die Batterie und die Fernbedienung richtig verwendet werden. Lesen Sie diesen Abschnitt vor jeder Inbetriebnahme sorgfältig durch.

4.1 Verwendung der Batterie

4.1.1 LED-Lampe der Batterie

Die vier LEDs der VAQUITA-Batterie zeigen den Batteriestand, Fehler und den Verbindungsstatus an. Die LEDs sehen Sie in der folgenden Abbildung.

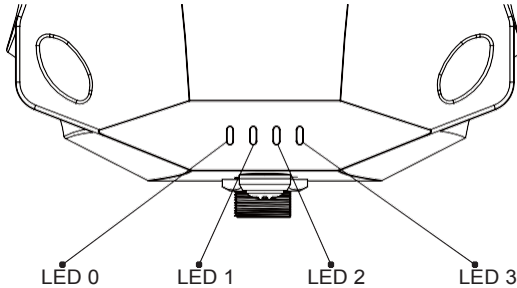


Abb. 4-1

Die folgende Tabelle beschreibt den Anzeigestatus der LED-Lampe während des Ladens und Entladens.

Batteriestatus	Beschreibung	Leistung			
		☆	●	☆	●
Laden	0%~40%	☆			
	40%~60%	●	☆		
	60%~80%	●	●	☆	
	80%~99%	●	●	●	☆
	100%	●	●	●	●
Entladen	0%~20%	☆	☆	☆	☆
	20%~40%	●			
	40%~60%	●	●		
	60%~80%	●	●	●	
	80%~100%	●	●	●	●

Hinweis: ● bedeutet konstantes Licht, ☆ bedeutet Blinken (Blinkfrequenz 1 Hz).



Wenn sich der Akku beim Entladen zwischen 0% und 20% befindet, blinken alle LEDs gleichzeitig, um Sie daran zu erinnern, dass der Akku so schnell wie möglich geladen wird.

Wenn die LEDs ungewöhnliche blinkende Zustände aufweisen, überprüfen Sie die richtige Lösung in der nachstehenden Tabelle zur Fehlerbehebung.

Anormaler LED-Status				Fehler	Lösungen
L0	L1	L2	L3		
☆	☆			Fehler 1: Kommunikation mit der VAQUITA-Fernbedienung ist fehlgeschlagen.	1. Stellen Sie sicher, dass die VAQUITA-Fernbedienung eingeschaltet ist. 2. Bitte schauen Sie sich das Pairing-Verfahren zwischen VAQUITA-Fernbedienung und VAQUITA-Batterie an.(siehe 4.3)
		☆	☆		
		☆		Fehler 2: Kommunikation mit der VAQUITA-Batterie ist fehlgeschlagen.	Bitte starten Sie die Batterie neu.
		☆	☆	Fehler 3: Andere Batteriefehler	Bitte starten Sie die Batterie neu.
	☆	☆	☆	Fehler 4: Überhitzung der VAQUITA-Batterie	Hören Sie mit dem Betrieb auf und warten Sie, bis die Temperatur auf den normalen Betriebsbereich abgesunken ist.

Hinweis: ☆ bedeutet Blinken (0,2 Sekunden Intervall, 5 Hz).



Wenn Fehler 1 auftritt, blinken L0 und L1 abwechselnd mit L2 und L3.



Wenn im Nichtladezustand ein Fehler auftritt, zeigen die LED-Lampen abwechselnd die Leistung und den Fehler an. Jeder Status wird für 3 Sekunden angezeigt.



Wenn mehrere Fehler gleichzeitig auftreten, zeigen die LED-Lampen den Fehlerstatus abwechselnd in der folgenden Reihenfolge an:

Fehler 4 → Fehler 3 → Fehler 1 → Fehler 2



Beim Laden kann Fehler 4, Überhitzung der VAQUITA-Batterie auftreten.



Wenn der Fehler weiterhin besteht, wenden Sie sich an einen der offiziellen autorisierten Händler.

4.1.2 Ein- / Ausschalten der VAQUITA-Batterie

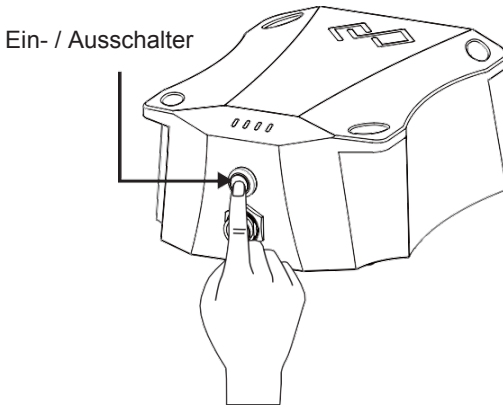


Abb. 4-2

In der folgenden Tabelle erfahren Sie, wie Sie die VAQUITA-Batterie richtig ein- oder ausschalten.

Verfahren	Beschreibung
Einschalten	<p>Drücken Sie im ausgeschalteten Zustand die Ein- / Aus-Taste und halten Sie diese gedrückt, bis alle LEDs nacheinander leuchten. Lassen Sie dann die Taste los.</p> <p>💡 Wenn Sie den Schalter loslassen, bevor die LED-Lampen vollständig leuchten, kann die Batterie nicht eingeschaltet werden.</p>
Ausschalten	<p>Drücken Sie im eingeschalteten Zustand die Ein- / Aus-Taste und halten Sie diese gedrückt, bis alle LEDs nacheinander aufleuchten. Lassen Sie dann die Taste los.</p> <p>💡 Die Batterie kann nicht ausgeschaltet werden, wenn der Netzschalter losgelassen wird, bevor alle vier LEDs erlöschen, und alle vier LEDs gleichzeitig blinken.</p>

⚠️ Stellen Sie vor der Installation des VAQUITA-Motors sicher, dass die VAQUITA-Batterie ausgeschaltet und der Stecker trocken ist.

⚠️ Vergessen Sie sich vor dem Einschalten der VAQUITA-Batterie, dass der VAQUITA-Motor sicher an der Unterseite des SUP-Boards /des Kajaks befestigt ist.

💡 Wenn die Batterie nicht innerhalb einer Stunde nach dem Einschalten verwendet wird, erlöschen alle LED-Lampen und die Batterie wechselt automatisch in den Tiefschlafmodus. Eine Wiedereinschaltung erfordert einen Neustart der Batterie.

💡 Wenn die Kommunikation unterbrochen wird (z.B. Ausschalten der Fernbedienung), blinken die LED-Lampen paarweise. Wenn die Kommunikation wiederhergestellt ist, zeigt die LED-Anzeige die Echtzeitleistung an.

4.1.3 Aufladen der Batterie



Vorsichtsmaßnahmen vor dem Laden

- Verwenden Sie zum Laden nur das offizielle VAQUITA-Ladegerät. Verwenden Sie kein Ladegerät von Drittanbietern.
- Der Ladetemperaturbereich sollte 0 ° C ~ 45 ° C (32 ° F ~ 113 ° F) sein.
- Vermeiden Sie während des Ladens den Kontakt der Batterie mit Wasser.
- Vermeiden Sie während des Ladens direktes Sonnenlicht / Regen.
- Vermeiden Sie ein Überladen der Batterie.
- Halten Sie die Batterie beim Laden von brennbaren Materialien wie Teppichen oder Holz fern.
- Hören Sie mit dem Laden im Notfall sofort auf.

Richtige Ladeschritte:

- 1) Schalten Sie die VAQUITA-Batterie aus und trennen Sie den Anschluss zwischen Batterie und Motor. Nehmen Sie die Batterie aus dem SUP-Board / Kajak usw. und legen Sie sie an einen trockenen, sicheren Ort.
- 2) Stecken Sie den Ausgangsstecker des VAQUITA-Ladegeräts in die Lade- und Entladeschnittstelle der VAQUITA-Batterie und befestigen Sie ihn. Stecken Sie dann den Eingangsstecker des Ladegeräts in die Steckdose. Informationen zur LED-Statusanzeige finden Sie unter 4.1.1 LED-Lampe der Batterie.

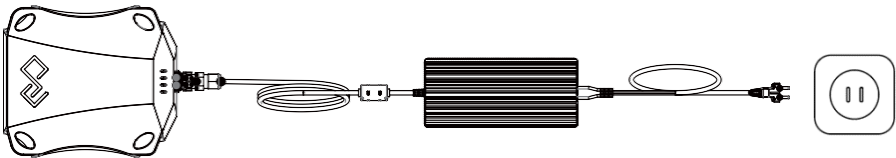


Abb. 4-3

Anzeige	Normale Anzeige	Beschreibung
Ladegerät-anzeige	Langes rotes Licht	Das Ladegerät wird normal aufgeladen.
	Langes grünes Licht	Die Batterie ist voll oder der Stecker des Ladegeräts ist angeschlossen, aber der Ladeanschluss nicht.



Es wird empfohlen, die Batterie vor jeder Verwendung vollständig aufzuladen, da während des Transports und der Lagerung eine Selbstentladung auftreten kann.



Es dauert etwa 3 Stunden, um eine leere Batterie vollständig aufzuladen. Wenn die Batterie vollständig aufgeladen ist, erlöschen die LEDs nach einer halben Stunde.

4.2 Die Verwendung der VAQUITA-Fernbedienung

4.2.1 Ein- / Ausschalten der VAQUITA-Fernbedienung

- !** Bitte prüfen Sie, bevor Sie die VAQUITA-Fernbedienung einschalten:
- Dass der Schieberegler auf Null steht.
 - Und dass der VAQUITA-Motor fest installiert ist.

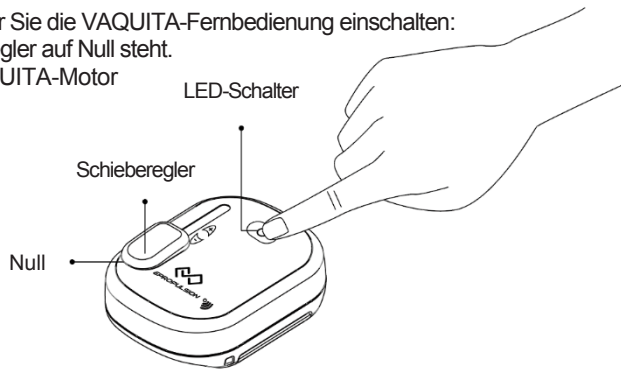


Abb. 4-4

In der folgenden Tabelle erfahren Sie, wie Sie die VAQUITA-Fernbedienung richtig ein- oder ausschalten.

Verfahren	Beschreibung
Einschalten	Drücken Sie im ausgeschalteten Zustand kurz den Schalter. Wenn Sie einen Piepton hören und die LED-Lampen langsam leuchten oder blinken, ist die Fernbedienung richtig eingeschaltet.
Ausschalten	Drücken Sie im eingeschalteten Zustand den Schalter (3 Sekundenlang), bis Sie den Piepton hören. Die Fernbedienung wurde richtig heruntergefahren.

- !** Wenn beim Einschalten der Fernbedienung alle fünf Sekunden ein Signalton ertönt, warnt die Fernbedienung, dass die Fernbedienung fast leer ist. Nach der Warnung bei niedrigem Akkuladestand wird die Fernbedienung normal weiterbetrieben und läuft nur noch kurze Zeit. Verwenden Sie eine neue Batterie (Modell: CR2032) und tauschen Sie die alte Batterie so schnell wie möglich aus. In Abschnitt 4.2.3 erfahren Sie, wie Sie die Batterie austauschen.
- 💡** Wenn sich die Fernbedienung nicht im Pairing-Modus befindet, blinken die LED-LAMPEN schnell und zeigen an, dass die Kommunikation abnormal ist. Die Fernbedienung schaltet sich nach fünf Minuten automatisch aus.
- 💡** Wenn der Schieberegler bei eingeschalteter Fernbedienung nicht auf Null steht, blinken die LED langsam und zeigen an, dass der Schieberegler an der falschen Stelle ist. Bringen Sie den Schieberegler wieder in die Nullposition und die LEDs kehren zum normalen langen Licht zurück.
- 💡** Wenn die Fernbedienung eingeschaltet ist und der Schieberegler auf Null steht, aber länger als 30 Minuten nicht betätigt wird, wird die VAQUITA-Fernbedienung auch automatisch heruntergefahren.
- !** Nähern Sie sich nicht dem drehenden Propeller, um Verletzungen zu vermeiden.
- !** Drücken Sie im Notfall kurz den Schalter, um den Motor sofort zu stoppen.

4.2.2 Steuerung des VAQUITA-Motors

! Wenn der Schieberegler bei eingeschalteter Fernbedienung nicht auf Null steht, blinken die LEDs langsam. Bringen Sie den Schieberegler wieder in die Nullposition und schalten Sie den Motor wieder ein, sonst kann der Motor nicht normal starten.

Verfahren	Beschreibung	LED
Geschwindigkeitssteuerung	Schieben Sie den Schieberegler nach vorne, um zu beschleunigen und nach hinten zu verlangsamen. (siehe Abbildung 4-5)	Langes Licht
Motor anhalten	In den normalen Fällen: Schieben Sie den Schieberegler wieder auf Null, um den Motor zu stoppen.	Langes Licht
	Im Notfall: Drücken Sie den Schalter der VAQUITA-Fernbedienung, um dringend zu bremsen.	Blinken

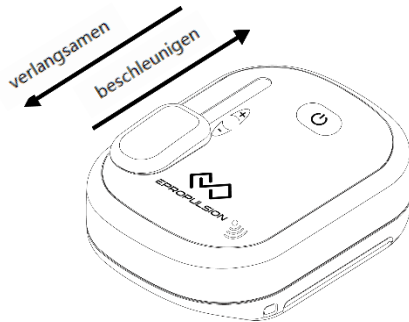


Abb. 4-5

! Neustart nach dem Stoppen:

- Schieben Sie im Normalfall den Schieberegler nach vorne, um zu beschleunigen.
- Schieben Sie im Notfall zuerst den Schieberegler auf Null und starten Sie ihn erneut.

! Wenn die VAQUITA-Fernbedienung versehentlich ins Wasser gefallen ist, stoppt der Motor automatisch, um die Sicherheit des Benutzers zu gewährleisten.

! Wenn der Motor länger als 30 Minuten nach dem Anhalten nicht betätigt wird, wird die VAQUITA-Fernbedienung auch automatisch heruntergefahren.

4.2.3 Ersatz-Batterie für die Fernbedienung

Die VAQUITA-Fernbedienung verwendet die integrierte Batterie (CR2032). Wenn die Fernbedienung eingeschaltet ist und ein Piepton fünfmal hintereinander ertönt, bedeutet das, dass die Batterie leer ist und eine neue Batterie desselben Modells ersetzt werden muss.

Sie können die Batterie ersetzen, indem Sie die folgenden Schritte ausführen:

1. Drehen Sie den Batteriedeckel gegen den Uhrzeigersinn (von 1 bis 2).
2. Öffnen Sie den Batteriedeckel und legen Sie die Knopfbatterie mit dem Pluszeichen ("+") nach oben ein.
3. Verriegeln Sie den Batteriedeckel im Uhrzeigersinn, um den Ersatz abzuschließen.

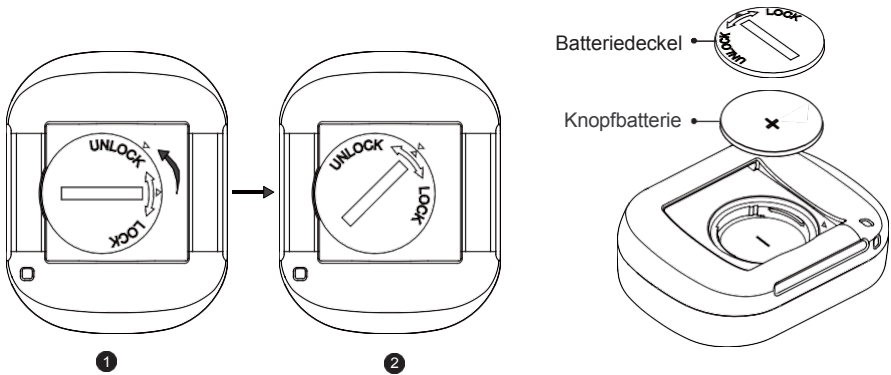


Abb. 4-6

4.3 Pairing/Verbinden zwischen Fernbedienung und Batterie

Die VAQUITA-Fernbedienung und die VAQUITA-Batterie wurden bereits vor der Auslieferung gepaart. Wenn Sie jedoch eine neue Batterie oder eine neue Fernbedienung verwenden, müssen sie erneut verbunden werden. Bitte befolgen Sie die folgenden Schritte, um ein Pairing durchzuführen.



Bitte befolgen Sie die folgenden Anweisungen, um ein Pairing durchzuführen. Wir empfehlen dringend, dass Sie den gesamten Vorgang vor dem Pairing lesen und verstehen.

Vorbereiten

Schalten Sie die Fernbedienung aus und schalten Sie die Batterie ein.

Aktivieren Sie den Pairing-Modus

Schritt 1: Versetzen Sie die Batterie in den Pairing-Modus

- ① Drücken Sie den Schalter und lassen Sie ihn los.

Alle LED-Lampen wechseln gleichzeitig in den langsamen Blitzmodus. Dieser Modus dauert nur wenige Sekunden. In dieser Zeit muss Schritt 2 ausgeführt werden. Andernfalls müssen Sie Schritt 1 wiederholen.

- ② Halten Sie den Schalter etwa 5 Sekunden lang gedrückt, bis alle LED-Lampen schnell mit derselben Frequenz blinken (dies zeigt an, dass die Batterie erfolgreich in den Pairing-Modus eingetreten ist). Lassen Sie dann den Schalter los.



Der Pairing-Modus dauert nur eine begrenzte Zeit, und Schritt 2 muss während dieser Zeit ausgeführt werden, andernfalls schlägt das Pairing fehl.

Schritt 2: Versetzen Sie die Fernbedienung in den Pairing-Modus

- ① Bewegen Sie die Fernbedienung zur Batterie.
- ② Halten Sie den Schalter der Fernbedienung 10 Sekunden lang gedrückt, bis Sie zwei aufeinanderfolgende Pieptöne hören (was bedeutet, dass sich die Fernbedienung im Pairing-Modus befindet). Lassen Sie den Schalter los und Sie hören dann einen weiteren Piepton. Das bedeutet, dass das Pairing erfolgreich ist.



Lassen Sie den Schalter der Fernbedienung nicht innerhalb von 10 Sekunden los. Andernfalls schlägt das Pairing fehl.

5. Abbauen des VAQUITA-Motors

Befolgen Sie nach der Verwendung von VAQUITA die korrekten Schritte, um den VAQUITA-Motor vom SUP-Board / Kajak zu entfernen

! Bevor Sie den VAQUITA-Motor entfernen, entfernen Sie zuerst die VAQUITA-Batterie gemäß den folgenden Schritten:

Entfernen Sie zunächst die VAQUITA-Batterie aus Ihrem SUP Board / Kajak, indem Sie die folgenden Schritte ausführen:

- 1) Halten Sie die Ein- / Ausschalter lange gedrückt, um die Batterie auszuschalten.
- 2) Trennen Sie den Anschluss zwischen VAQUITA-Motor und der VAQUITA-Batterie.
- 3) Entfernen Sie die Batterie und legen Sie sie an einen sicheren Ort.

Suchen Sie dann einen flachen Platz und drehen Sie das SUP-Board / Kajak mit der Unterseite nach oben.

a. Trennen des VAQUITA-Motors und des US Fin Box Adapters

Schritt 1: Lösen und entfernen Sie die Schrauben.

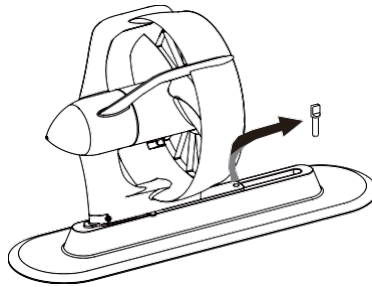


Abb. 5-1

Schritt 2: Nehmen Sie den Motor und den Adapter aus der Finnenbox.

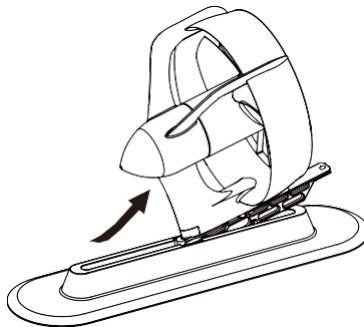


Abb. 5-2

Schritt 3: Trennen Sie den Motor und den US Fin Box Adapter. Heben Sie den Entriegelungsknopf mit Daumen und Zeigefinger (in Pfeilrichtung 1) um etwa 2 mm an und schieben Sie gleichzeitig die Basis in Pfeilrichtung 2.

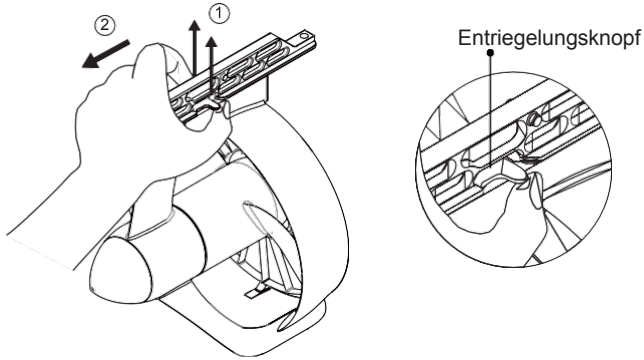


Abb. 5-3

Schritt 4: Wenn das hintere Teil des Adapters herausgleitet (Position in der unteren linken Abbildung), entfernen Sie den Adapter in Pfeilrichtung.

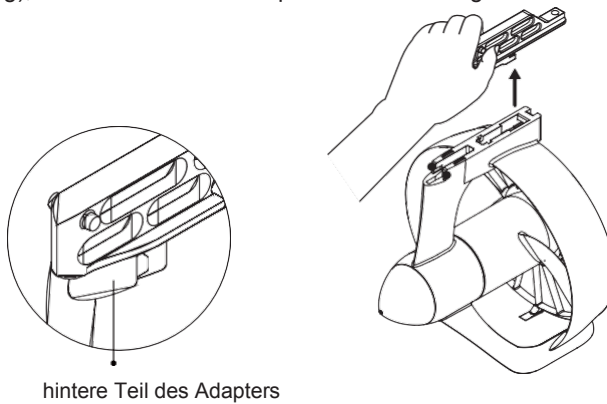


Abb. 5-4



Reinigen Sie nach dem Trennen den Motor und den Adapter mit frischem Wasser.

b. Trennen des VAQUITA-Motors und des Aufblasbaren SUP Finnen Adapters

Schritt 1: Entfernen Sie den Haltebügel

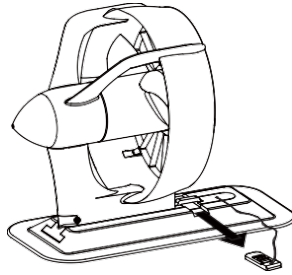


Abb. 5-5

Schritt 2: Schieben Sie den Motor und die Basis aus der Finnenbox.

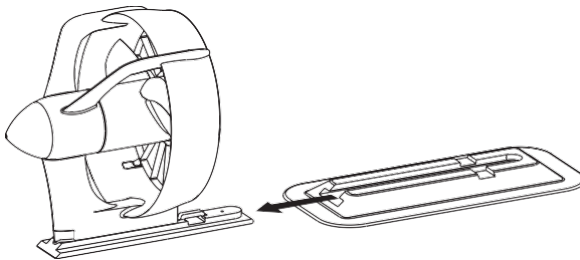


Abb. 5-6

Schritt 3: Trennen Sie den VAQUITA-Motor und den Adapter. Halten Sie den Motor und heben Sie den Entriegelungsknopf um etwa 2 mm an und schieben Sie gleichzeitig den Adapter in Pfeilrichtung 2.

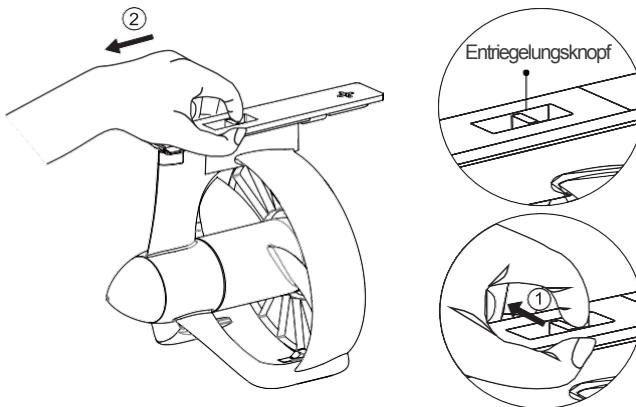


Abb. 5-7

Schritt 4: Wenn der hintere Teil des Adapters herausgleitet (Position in der unteren linken Abbildung), entfernen Sie den Adapter in Pfeilrichtung.

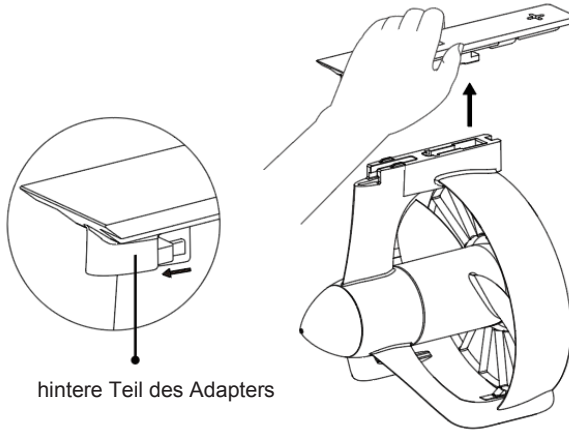


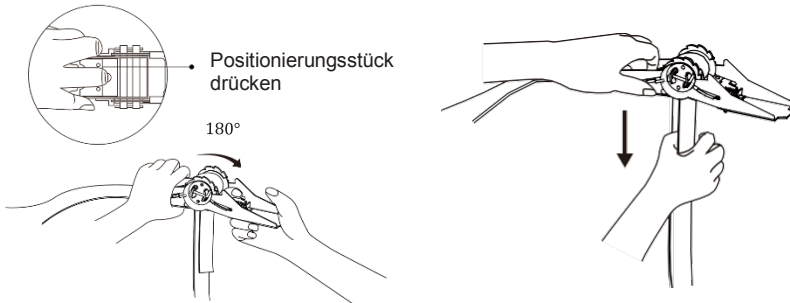
Abb. 5-8



Reinigen Sie nach dem Trennen den Motor und den Adapter mit frischem Wasser.

c. Trennen des VAQUITA-Motors und des Universaladapters.

Schritt 1: Entriegeln Sie die Ratschenschnalle (Abbildung 5-9).



Drücken Sie das Positionierungsstück und öffnen Sie die Schnalle um 180 °.

Abb. 5-9

Schritt 2: Entfernen Sie den VAQUITA-Motor und den Universaladapter (Abbildung 5-10).

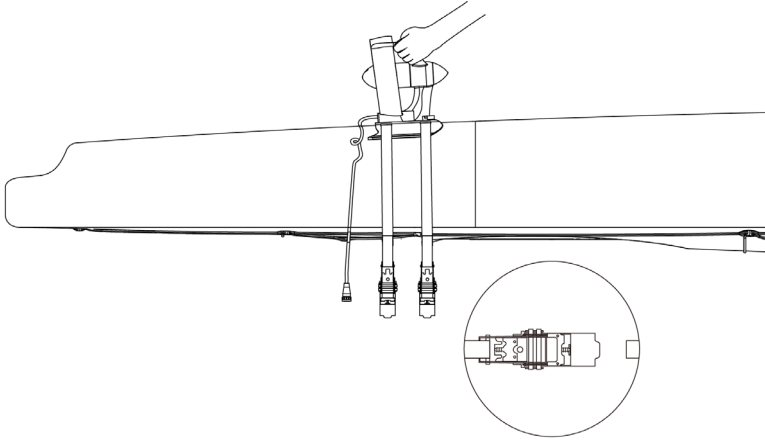



Abb. 5-10

 Halten Sie den VAQUITA-Motor beim Lösen des Ratschenbandes fest.

Schritt 3: Halten Sie den Motor und heben Sie den Entriegelungsknopf um etwa 2 mm an und schieben Sie gleichzeitig den Adapter in Pfeilrichtung 2.

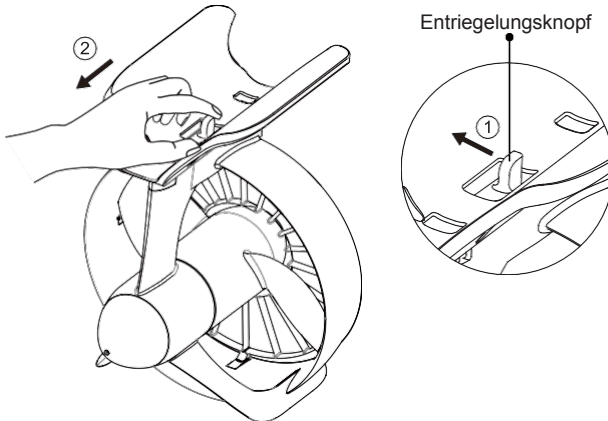


Abb. 5-11

Schritt 4: Wenn das hintere Ende des Adapters herausgleitet (Position in der unteren linken Abbildung), entfernen Sie den Adapter in Pfeilrichtung.

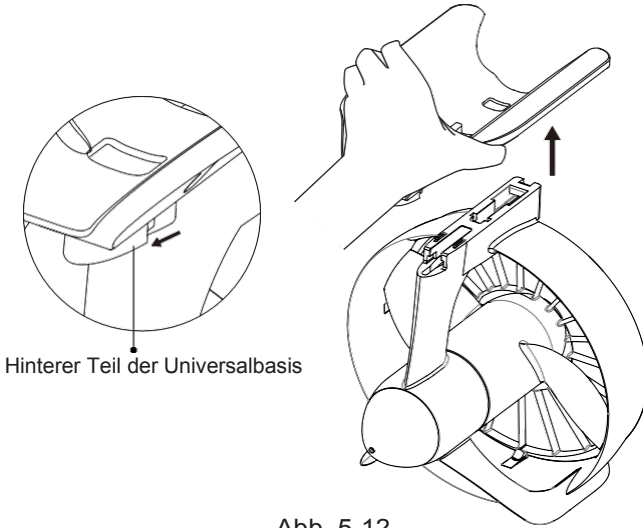


Abb. 5-12

- 💡 Wenn Sie den Universaladapter längere Zeit nicht verwenden, wird empfohlen, die Ratschenbänder vom Universaladapter zu entfernen.
- 💡 Reinigen Sie nach dem Trennen den Motor und den Adapter mit frischem Wasser.

6. Transport und Lagerung

6.1 Transport

Wenn Sie VAQUITA über weite Strecken transportieren, verpacken Sie die Produkte zuvor in der VAQUITA-Originalverpackung.

 Vorsichtsmaßnahmen vor dem Transport:

- Überprüfen Sie und stellen Sie sicher, dass die Verpackung ohne Beschädigungen ist
- Vermeiden Sie während des Transports heftige Erschütterungen, Stöße oder Quetschungen. Treffen Sie vor dem Transport geeignete Stoßschutzmaßnahmen.
- Setzen Sie die VAQUITA-Batterie während des Transports keinem Sonnenlicht oder Regen aus.
- Bitte überprüfen Sie die Gesetze und Bestimmungen vor dem Transport.

6.2 Lagerung

Wenn Sie die VAQUITA-Produkte längere Zeit nicht verwenden, sollten Sie sie vor der Lagerung reinigen. Es wird empfohlen, die Produkte in der Originalverpackung zu lagern.

 Vorsichtsmaßnahmen vor der Lagerung:

- Das Produkt sollte nur gelagert werden, wenn es vollständig trocken ist.
- Treffen Sie vor der Lagerung geeignete Stoßschutzmaßnahmen.
- Bewahren Sie die VAQUITA-Batterie an einem sauberen, trockenen und belüfteten Ort ohne direkte Sonneneinstrahlung auf.
- Vermeiden Sie den Kontakt mit ätzenden Substanzen. Andernfalls kann die Stärke der Kunststoffteile der VAQUITA-Produkte geschwächt oder zerstört werden und die VAQUITA-Produkte können dauerhaft beschädigt werden.
- Die Batterie sollte von Zündquellen und Wärmequellen ferngehalten werden.
- Laden Sie die Batterie nach einer längeren Lagerung vollständig auf, bevor Sie sie verwenden.

7. Wartung

Verschiedene Faktoren wie die Betriebsumgebung (z. B. Temperatur, Feuchtigkeit, Staub), Alterung und Verschleiß der inneren Teile können die Leistung des Produkts beeinträchtigen. Es ist wichtig, Routinewartungen regelmäßig durchzuführen, damit die VAQUITA-Produkte optimal funktionieren können.

- Nach der Verwendung den VAQUITA-Motor aus dem Wasser nehmen.
- Überprüfen Sie die Kabel regelmäßig auf Beschädigungen.
- Die VAQUITA-Batterie sollte nach jedem Gebrauch aufgeladen werden.
- Lassen Sie den VAQUITA-Motor nicht im Leerlauf oder in seichem Wasser laufen.
- Betreiben Sie den VAQUITA-Motor nicht in den Gewässern mit dickem Sand.
- Reinigen Sie den VAQUITA Motor nach jedem Gebrauch mit frischem Wasser.
- Reinigen Sie nach jedem Gebrauch die Verunreinigungen im Steckplatz des Adapters.
- Lassen Sie die VAQUITA-Batterie nicht fallen, vermeiden Sie bei der Lagerung direktes Sonnenlicht und Regen.
- Überprüfen Sie regelmäßig den Ladezustand der Batterie.
- Wenn die Batterie leer ist, laden Sie sie sofort auf.
- Laden Sie die Batterie vollständig auf, um eine optimale Leistung zu erzielen, bevor Sie sie zum ersten Mal oder nach längerer Lagerung verwenden.
- Verwenden Sie zum Laden der VAQUITA-Batterie nur das VAQUITA-Ladegerät. Die Verwendung anderer Ladegeräte kann zu einer verkürzten Batterielaufzeit, zu einem vorzeitigen Batterieausfall und sogar zu einem Brand oder einer Explosion führen.
- Verwenden Sie die Batterie bei normaler Temperatur, um die negativen Auswirkungen extremer Temperaturen auf die Batterielebensdauer und den Nutzungszyklus zu vermeiden.
- Wenn ein Fehler auftritt, sollte das Problem rechtzeitig behoben werden, um weitere Schäden zu vermeiden. Wenden Sie sich bei Bedarf an Ihren offiziellen ePropulsion-Händler, um Reparatur- oder Ersatzteile zu erhalten.
- Bitte beachten Sie die Bedienungsanweisungen.

8. Garantie

ePropulsion bietet für den ursprünglichen Käufer der Produkte eine eingeschränkte Garantie. Die Verbraucher haben Anspruch auf kostenlosen Ersatz oder Reparatur von Produktteilen, die nicht dem Kaufvertrag entsprechen. Diese Garantievereinbarung erfolgt in Verbindung mit den Bestimmungen des örtlichen Verbrauchsgesetzes.

8.1 Garantiebestimmungen

ePropulsion garantiert ab Kaufdatum für einen bestimmten Zeitraum die Qualität seiner Produkte. Wenn ein Qualitätsproblem auftritt, ist der Benutzer berechtigt, einen Garantieanspruch gemäß den Garantiebestimmungen von ePropulsion einzureichen.

Produkt	Garantiezeit
VAQUITA	Innerhalb eines Jahres ab Kaufdatum
Reparatur- oder Ersatzteile	Drei Monate ab Reparaturdatum. Hinweis: 1. Wenn sich der Dreimonatszeitraum und der ursprüngliche Garantiezeitraum des Produkts überschneiden, läuft die Garantie der Ersatz- / Reparaturteile dennoch innerhalb eines Jahres nach Kaufdatum aus. 2. Wenn der Dreimonatszeitraum die ursprüngliche Garantiezeit überschreitet, werden die Ersatz- / Reparaturteile innerhalb der Frist weiterhin von der Garantie abgedeckt.



Der Benutzer muss die Garantiekarte im Voraus ausfüllen, damit die Garantie wirksam wird.



Halten Sie das Produktetikett intakt und notieren Sie die Seriennummer des Produkts. Entfernen Sie das Etikett nicht. Für ePropulsion-Produkte ohne Originaletikett gilt die Garantie nicht.



Informationen zur Garantiekarte müssen korrekt ausgefüllt sein.



Wenn Sie einen Garantieanspruch beantragen, müssen Sie eine gültige Produktseriennummer, Garantiekarte und einen Kaufnachweis von einem offiziell autorisierten Händler vorlegen.



Das gültige Kaufdatum wird vom ursprünglichen Käufer mit dem Kundenauftrag festgelegt.



Eine kostenlose Garantiekarte kann nicht übertragen und erneut ausgestellt werden.

8.2 Von der Garantie ausgeschlossen

Stellen Sie sicher, dass das Produkt für den Versand gut verpackt ist. Wir empfehlen dazu die Verwendung der Originalverpackung.

Sollte das Produkt durch unsachgemäße Verpackung während des Versands weiter beschädigt werden, gilt dieser Teil des Schadens als nicht von der Garantie abgedeckt.

Darüber hinaus ist ein Defekt oder Fehler nicht vom Garantiumfang abgedeckt, der aus den folgenden Gründen verursacht wurde:

- Jede unsachgemäße Bedienung, die dieser Bedienungsanleitung widerspricht.
- Unfall, Fehlgebrauch, vorsätzlicher Missbrauch, physische Beschädigung, Überladung oder eigenmächtige Reparaturen.
- Fallenlassen, unsachgemäße Wartung oder Lagerung.



Bitte beachten Sie, dass kleine Fehler wie normale Abnutzung und Verschleiß, die keinen Einfluss auf die vorgesehene Funktion des Produkts haben, nicht im Garantiumfang enthalten sind.



Verbrauchsmaterialien werden nicht von der Garantie abgedeckt.

8.3 Garantieschritte

Um im Falle eines Defekts an Ihrem ePropulsion-Produkt einen Garantieanspruch geltend zu machen, führen Sie die folgenden Schritte aus:

1. Füllen Sie die Garantiekarte im Voraus korrekt und vollständig aus. Senden Sie die Garantiekarte und den Kaufbeleg an Ihren offiziell autorisierten ePropulsion-Händler.

Im Allgemeinen müssen diese Dokumente für den Garantieanspruch vorbereitet werden: Garantiekarte, Seriennummer des Herstellers und Kaufbeleg.

2. Senden Sie das defekte Produkt nach Erhalt der Bestätigung an Ihren offiziell autorisierten ePropulsion-Händler. Achten Sie darauf, dass das Produktetikett intakt bleibt.

3. Gemäß des vom ePropulsion Service Partner festgestellten Fehlers werden die defekten Teile entweder repariert oder ersetzt.

4. Wenn Ihr Garantieantrag genehmigt ist, wird das Gerät unentgeltlich repariert oder ersetzt.

5. Nach sorgfältiger Prüfung und Bestätigung durch den autorisierten ePropulsion-Händler werden die defekten Teile je nach Zustand repariert oder ersetzt.

6. Wenn Ihr Garantieantrag nicht genehmigt wird (siehe 8.2), werden Sie über den Reparaturkostenvoranschlag einschließlich der Versandkosten informiert. Nach Erhalt Ihrer Bestätigung führt der autorisierte ePropulsion-Vertragshändler / Händler die entsprechende Reparatur durch.



Nach Ablauf der Garantie können Sie den ePropulsion-Reparaturservice weiterhin auf Ihre Kosten in Anspruch nehmen.

8.4 Gesetzliche Gewährleistung

Produkt	Gewährleistungsfrist
VAQUITA	24 Monate ab Kaufdatum

Vielen Dank, dass Sie die Bedienungsanleitung von ePropulsion gelesen haben.

Sollten Sie weitere Fragen haben, wenden Sie sich bitte an uns. Wir helfen Ihnen gerne weiter.

Thanks for reading this user manual.

If you have any concerns or find any problems while reading, please don't hesitate to contact us. We are delighted to offer service for you.

DITOMA GmbH
Mauserstraße 6/2
71640 Ludwigsburg
E-Mail: epropulsion@ditoma.de
Internet: www.epropulsion.de

Dongguan ePropulsion Intelligence Technology Limited
Website: www.epropulsion.com
Email: service@epropulsion.com