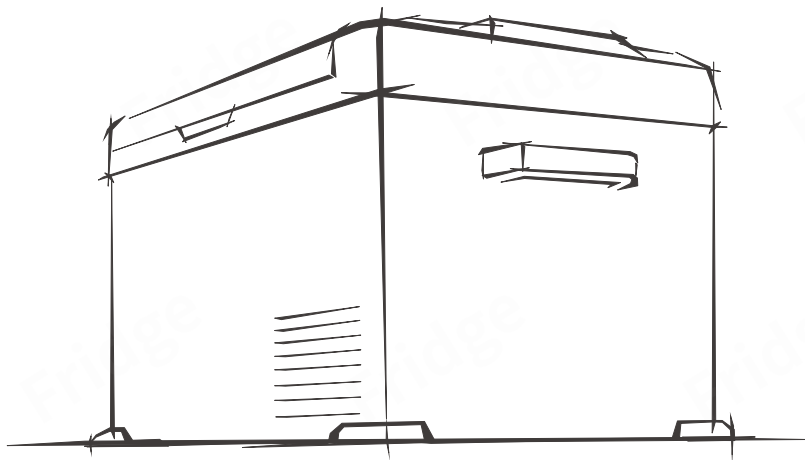


Car Refrigerator

USER MANUAL



Model A25/A30/A40/A50/A75
C25/C30/C40/C50/C75

Please read this operating manual carefully before starting the device.
Keep it in a safe place for future reference.

Contents

1.Safety Instructions	Page1
2.Product Features	Page2
3.Product Structure	Page2
4.Installation	Page2
5.Function and Operation	Page3
6.Cleaning and Storage	Page4
7.Troubleshooting	Page5
8.Warranty and Maintenance	Page6
9.Technical Information	Page6

1.Safety Instructions



WARNING! Failure to obey these warnings could result in malfunction of your device and possible injury for yourself and other users.

- Do not operate the device if it is visibly damaged.
- Do not block the gaps of the device with things like pin, wire, etc.
- Do not expose the device to rain or soak it in water.
- Do not place the device near naked flames or other heat sources (heaters, direct sunlight, gas ovens etc.)
- Do not store explosive substances like spray cans with flammable propellants in the device.
- Before starting the device, ensure that the power supply line and the plug are dry.
- Check if the voltage specification on the type plate matches that of the energy supply.
- Once unpacked and before turning on, the device must be placed on a level surface for more than 6 hours.
- Make sure that the device stays horizontally when it is running. The tilt angle must be less than 5° for long time running and be less than 45° for short time running.
- The refrigerator must be well ventilated for heat dissipation and make sure to keep some space around it. (Back Space \geq 200mm, Side Space \geq 100mm)
- The device may only be repaired by qualified personnel. Improper repairs can lead to safety hazards. If the power cable is damaged, it must be replaced by the manufacturer, customer service or a similarly qualified person in order to prevent safety hazards.



NOTICE!

- The device can be used by children aged 8 or over, as well as by persons with reduced physical, sensory or mental capabilities or a lack of experience and/or knowledge, providing they are supervised or have been taught how to use the device safely and are aware of the resulting risks.
- Children must be supervised to ensure that they do not play with the device.
- The installation of DC power in the boat must be handled by qualified electricians.
- Never pull the plug out of the socket by the cable.
- Disconnect the device or switch it off when you turn off the engine. Otherwise you may discharge the battery.



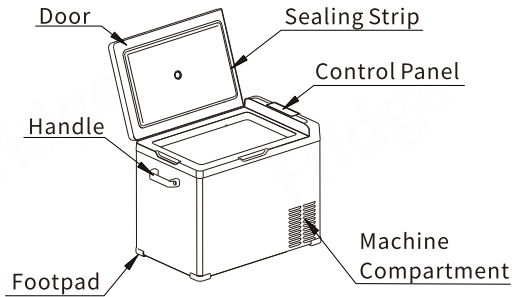
CAUTION!

- Food is suggested to be stored in its original packaging or in suitable containers.
- Set suitable temperature for food or medicine stored in the device. Refer to recommended temperature for common food on Page4.

2.Product Features

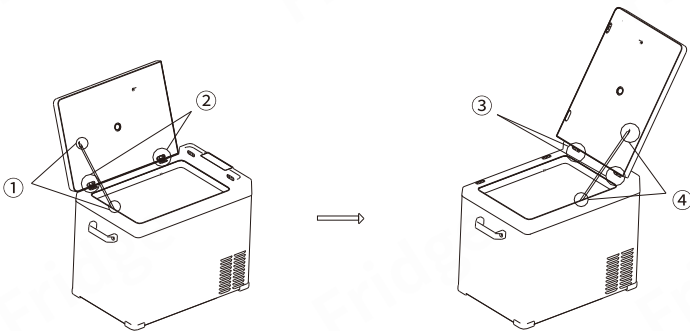
- High-efficiency DC compressor and conversion module.
- CFC free and great heat insulation.
- DC12/24V or AC 100~240V (using the adapter) power supply.
- Fast cooling to $-20^{\circ}\text{C}/-4^{\circ}\text{F}$ (based on $25^{\circ}\text{C}/77^{\circ}\text{F}$ room temperature).
- Intelligent battery protection system.
- LCD digital display for temperature setting.
- Built-in LED light, cup holder design and adjustable door opening direction.

3.Product Structure



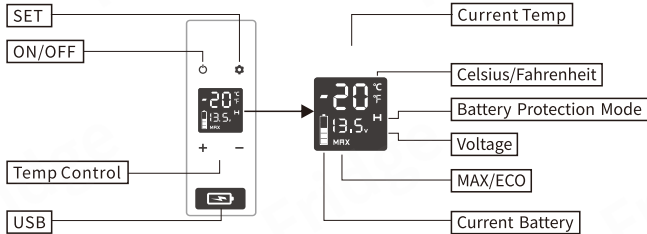
4.Installation







Adjust the door opening:



- ① Take down the stainless chain by cross screwdriver.
- ② Take down the two hinges .
- ③ Install the two hinges on the other side between the door and the tank.
- ④ Install the stainless chain on the other side between the door and the tank

5.Function and Operation



- **Power supply:** connect to DC 12V/24V or AC 100~240V (using the adapter) power supply.
- **Display Screen Initialization:** the screen will be on for 2 seconds after power on.
- **Power On/Off:** press  to switch ON/OFF.
- **Temperature Setting:** press **+** or **-** for temperature setting, the setting will be saved automatically after stopping operating for 4 seconds (Note: the temperature displayed is the current temperature of the compartment, it'll take a while to reach the set temperature.) Temperature setting range: -20~20°C (-4~68°F)
- **Cooling Mode:** under the running state, press  to switch MAX (fast cooling) and ECO (Energy saving Mode). (*Factory setting is MAX.)
- **Temperature Unit Setting:** switch off the fridge, long press  for three seconds until E1 displays, keep pressing  until E5 displays. then press **+** or **-** to select Celsius or Fahrenheit. (*Factory setting is °C.)
- **Battery Protection Mode:** under the running state, long press  for three seconds until screen flashes, then press  again to select protection mode H (High), M (Middle) and L (Low) (*Factory setting is H.)

Due to the different output voltages between vehicles, H should be set when the product is connected to car power, and M or L should be set when it is connected to a portable battery or other back-up battery.

The battery gear should be set from H to M or from M to L if there is a voltage protection code F1 shown on the panel. The battery gear should be set to H if the product keeps working after turning off the car engine, or the product may drain the battery.








Voltage Reference:

INPUT MODE	DC 12V		DC 24V	
	CUT OUT	CUT IN	CUT OUT	CUT IN
L	9.0V	10.9V	21.3V	22.7V
M	10.1V	11.4V	22.3V	23.7V
H	11.1V	12.4V	24.3V	25.7V

*the voltage is theoretical value, there may be a deviation in different sceneries.

- **Reset:** switch off the fridge, long press  for three seconds until E1 displays, under E1 mode, long press **+ -** at the same time until the screen displays "888".

■ Recommended temperature for common food:

						
Drinks	Fruits	Vegetable	Delicatessen	Wine	Ice cream	Meat
5°C/41°F	5~8°C/41~46°F	3~10°C/37~50°F	4°C/39°F	10°C/50°F	-10°C/14°F	-18°C/0°F

6. Cleaning and Storage

■ Cleaning:

- Unplug the device first to avoid electric shock.
- Use wet cloth to clean the device and dry it.
- Remove the cover and drain from the hole at the bottom of the device.
- Do not soak the device in water and do not wash it directly.
- Do not use abrasive cleaning agents as these can damage the device.

■ Storage:


If the device will not be in use for a long time, please follow the steps:

- Turn off the power and remove the plug.
- Remove all the items stored in the device.
- Remove the cover and drain from the hole.
- Wipe off excess water from the fridge with a soft rag.
- Put the device in a cool and dry place.
- Leave the lid slightly open to prevent odors from forming.

■ Defrosting:

Humidity can form frost in the interior of the cooling device or on the evaporator. This reduces the cooling capacity. Defrost the device in good time to avoid this.

- Switch off the device.
- Take out the contents of the device.
- Remove the cover and drain from the hole.
- Keep the lid open.
- Wipe off the defrosted water.

 **Never use hard or sharp tools to remove ice or to loosen objects which have frozen in place.**

7.Troubleshooting

Issues	Suggestions
Refrigerator does not work	Check if the switch is on.
	Check if the plug and socket are connected well.
	Check if the fuse has been burnt.
	Check if the power supply is malfunctioned.
	Switching on/off the fridge frequently may cause start delay of the compressor.
Refrigerator compartments are too warm	The door is opened frequently.
	A large amount of warm or hot food was stored recently. Wait for the refrigerator to reach its selected temperature.
	The refrigerator has been disconnected for a period of time.
Food is frozen	The temperature was set too low, please increase the temperature
There is a “water flow” noise from inside the fridge	It's a normal phenomenon, caused by the flow of refrigerant.
There are waterdrops around the refrigerator casing or door gap	It's a normal phenomenon, the moisture will condense to water when it touches a cold surface of the refrigerator.
The compressor is slightly noisy when starting	It's a normal phenomenon, the noise will be reduced after the compressor works stably.
Code F1 displayed	Possible cause: low voltage to fridge. Adjust the battery protection from H to M or from M to L.
Code F2 displayed	Possible cause: condenser fan is overloaded. Disconnect power to fridge for 30 minutes & re-start.
Code F3 displayed	Possible cause: the compressor starts too frequently. Disconnect power to fridge for 30 minutes & re-start.
Code F4 displayed	Possible cause: compressor not kicking in. Disconnect power to fridge for 30 minutes & re-start.
Code F5 displayed	Possible cause: overheating of the compressor & electronics. Disconnect power to fridge for 30 minutes & re-start.
Code F6 displayed	Possible cause: no parameter can be detected by the controller. Disconnect power to fridge for 30 minutes & re-start.
Code F7 or F8 displayed	Possible cause: temperature sensor is faulty. Contact manufacturer for service.

8. Warranty and Maintenance

If the device gets malfunctional, limited warranty will be provided for 1 year from the date of purchase, except following situations:

- Contrived damage.
- Damage caused by force majeure such as earthquake, conflagration, etc.
- Damage from inappropriate use or violating this instruction.
- Damage or malfunction caused by disassembling without permission.

9. Technical Information

Model	A/C25	A/C30	A/C40
Rated Voltage DC	12V/24V		
Rated Power Input	60W		
Capacity	25L/0.88 Cu.Ft	30L/1.06Cu.Ft	40L/1.41Cu.Ft
Sound Noise Level	≤45dB		
Climate Class	T/ST/N/SN		
Temperature Range	-20~20°C (-4~68°F)		
Dimension(L*W*H)	650*375*307mm 25 5/8*14 3/4 *12 1/8 inch	650*375*357mm 25 5/8*14 3/4 *14 1/16 inch	650*375*427mm 25 5/8*14 3/4 *16 13/16 inch
Net Weight	12kg/23.9lb	12.85kg/25.6lb	13.7kg/31.1lb

Model	A/C50	A/C75
Rated Voltage DC	12V/24V	
Rated Power Input	80W	
Capacity	50L/1.77Cu.Ft	75L/2.65Cu.Ft
Sound Noise Level	≤45dB	
Climate Class	T/ST/N/SN	
Temperature Range	-20~20°C (-4~68°F)	
Dimension(L*W*H)	650*375*497mm 25 5/8*14 3/4*19 9/16 inch	650*375*672mmmm 25 5/8*14 3/4*26 7/16 inch
Net Weight	14.35kg/31.6lb	17.9kg/39.5lb

*Due to product improvement, the technical information might be different from actual information, please refer to the rating label on the product.