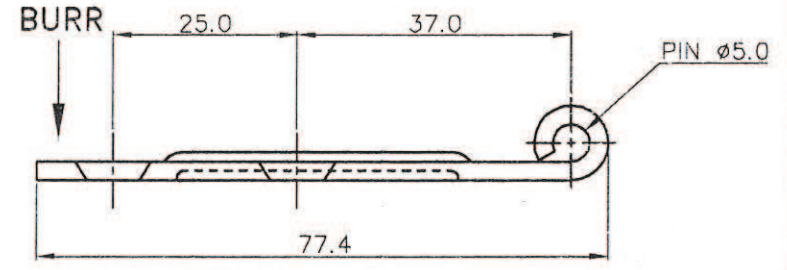
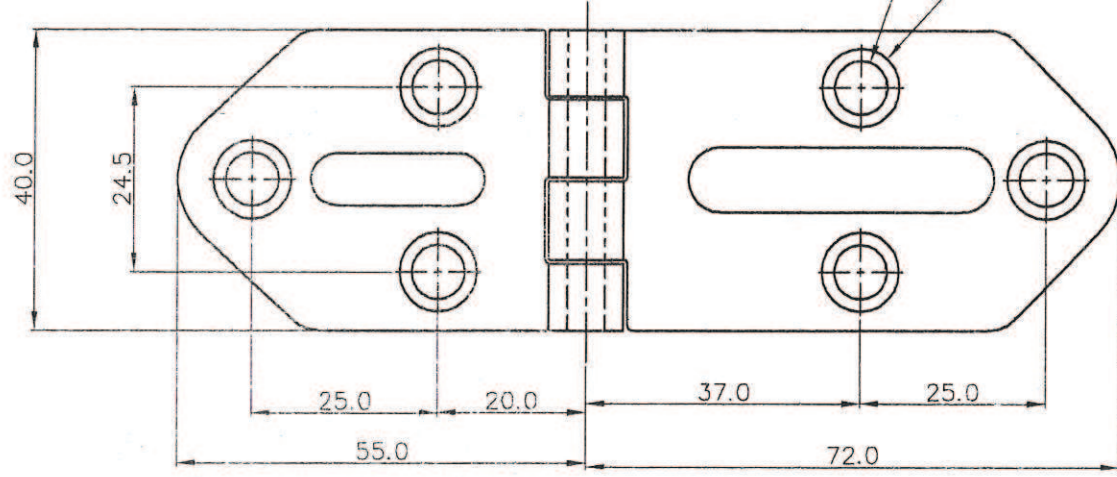


REV.	DESCRIPTION	DATE	DWG. BY
A	0.0	00/00/00	-

B123-2

B123-1

6- ϕ 7.2
6- ϕ 10.5X80-82°



POLISH

